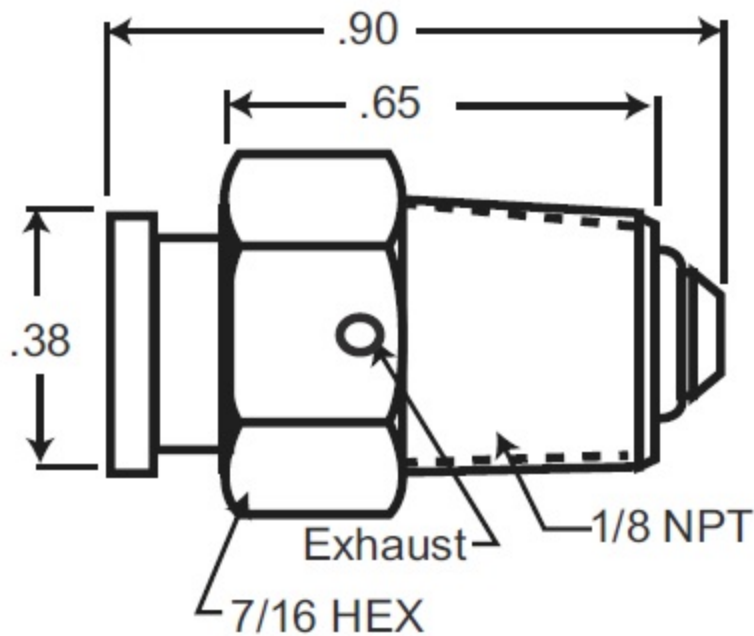


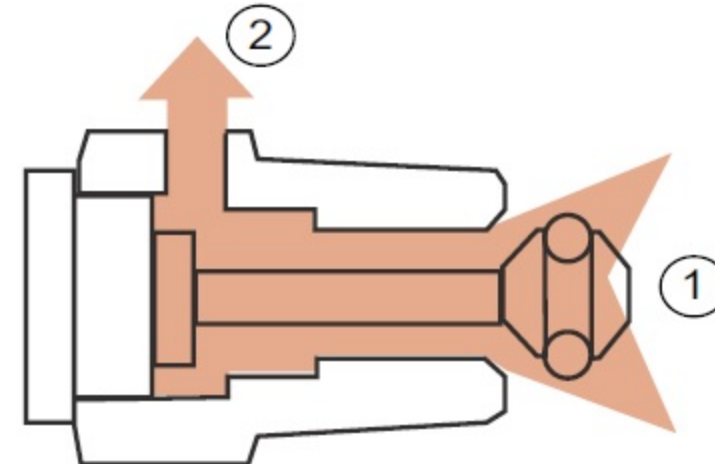
Performance Data

Temperature Range		Operating Pressure		
-20°F to 160°F		Range: 0-125 psi		
Part Number	Mount	Force to Actuate		Exhaust Time sec/ in ³ 100-10 psi
		50 psi	125 psi	
	1/8 NPT (7/16" hex)	3 lbs	6 1/2 lbs	.04

C_v per ANSI / (NFPA) T3.21.3



Cross Section



PROPRIETARY AND CONFIDENTIAL

Description

THE INFORMATION CONTAINED IN THIS DRAWING IS THE SOLE PROPERTY OF INDUSTRIAL SPECIALTIES MFG. AND IS MED SPECIALITES. ANY REPRODUCTION IN PART OR AS A WHOLE WITHOUT THE WRITTEN PERMISSION OF INDUSTRIAL SPECIALTIES MFG. AND IS MED SPECIALITES IS PROHIBITED.

**1/8" Male NPT Button Relief Valve,
Buna-N Seal, Nickel Plated Brass**

NAME DATE
DRAWN BY: M.E. 8/30/2017

PART#

BVSP-2M

REV
1

SHEET 1 OF 1



Industrial Specialties Mfg.
IS Med Specialties