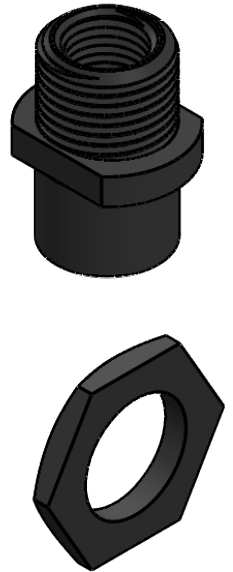
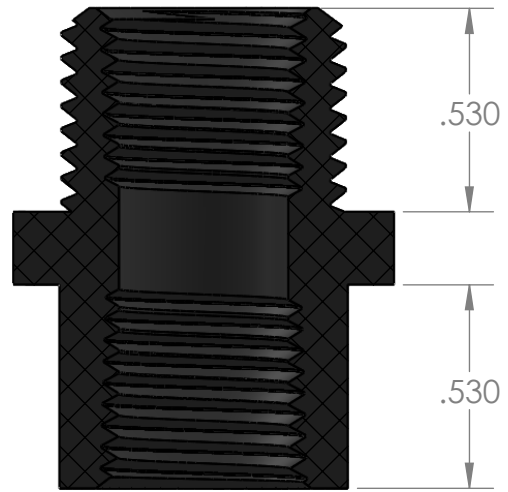
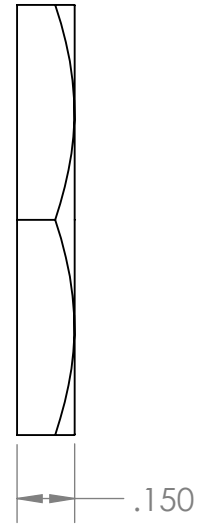
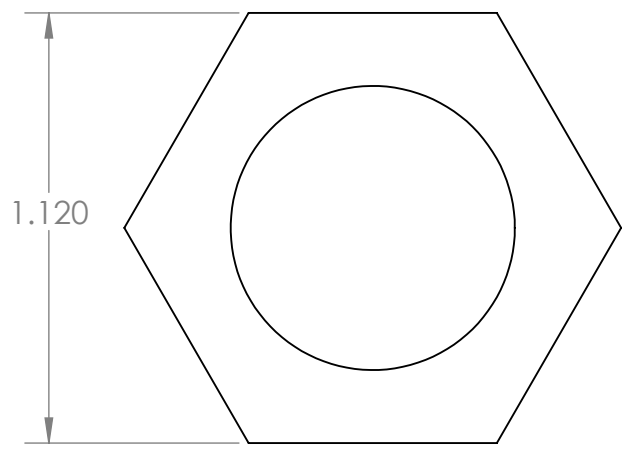
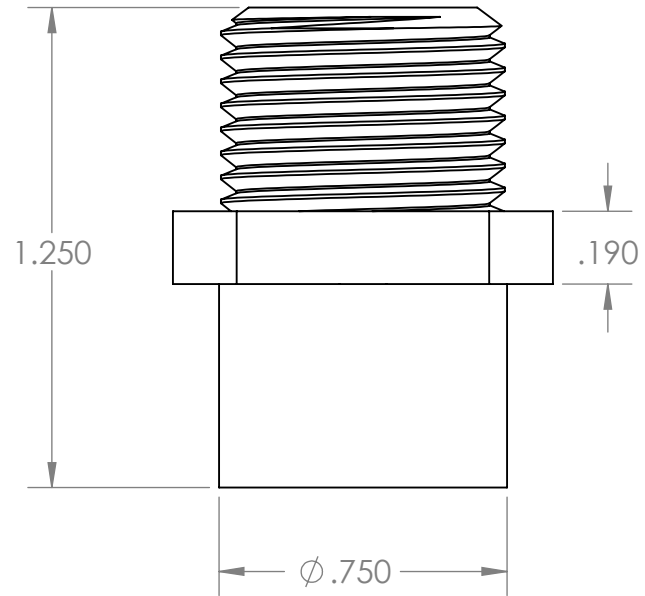


SECTION A-A



Panel Nut



PROPRIETARY AND CONFIDENTIAL

THE INFORMATION CONTAINED IN THIS DRAWING IS THE SOLE PROPERTY OF INDUSTRIAL SPECIALTIES MFG. AND IS MED SPECIALITES. ANY REPRODUCTION IN PART OR AS A WHOLE WITHOUT THE WRITTEN PERMISSION OF INDUSTRIAL SPECIALTIES MFG. AND IS MED SPECIALITES IS PROHIBITED.

Description

1/4" Female NPT Panel Mount Connector, 3/4-16 UNF Panel Thread, Panel Nut Included, Nylon Panel Nut, Black Delrin Body

NAME	DATE
M.E.	4/26/2018
DRAWN BY:	
SHEET 1 OF 1	
SCALE: 2:1	
DO NOT SCALE DRAWING	

PART#	REV
BHF-4-D	1
 Industrial Specialties Mfg. & IS MED Specialties (ISM)	
industrialspec.com 800-781-8486	