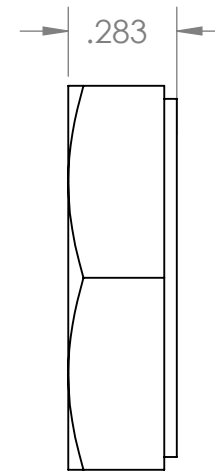
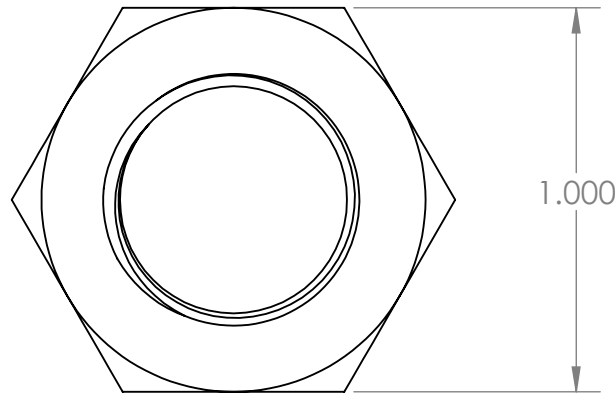
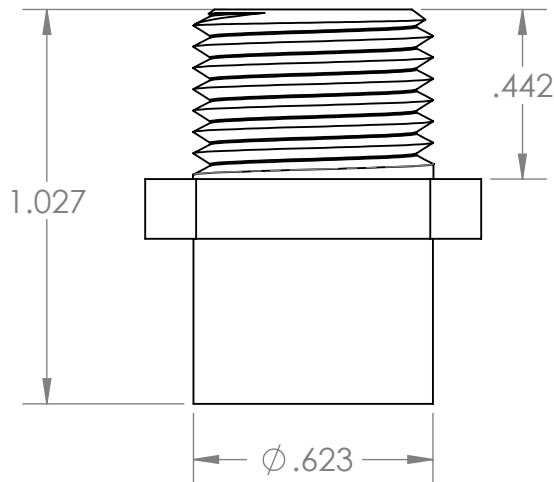
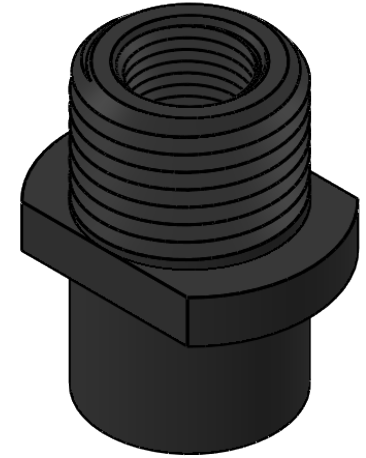


SECTION A-A



PROPRIETARY AND CONFIDENTIAL

**Description**

1/8" Female NPT Panel Mount, 3/8-18 Panel Thread, Panel Nut Included, Black Delrin

THE INFORMATION CONTAINED IN THIS DRAWING IS THE SOLE PROPERTY OF INDUSTRIAL SPECIALTIES MFG. AND IS MED SPECIALITES. ANY REPRODUCTION IN PART OR AS A WHOLE WITHOUT THE WRITTEN PERMISSION OF INDUSTRIAL SPECIALTIES MFG. AND IS MED SPECIALITES IS PROHIBITED.

NAME DATE  
DRAWN BY: M.E. 10/15/2018

PART#  
BHF-2-D

REV  
1

SHEET 1 OF 1

SCALE: 2:1

DO NOT SCALE DRAWING



industrialspec.com | 800-781-8486