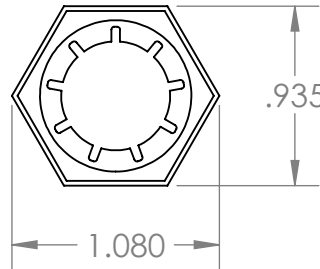
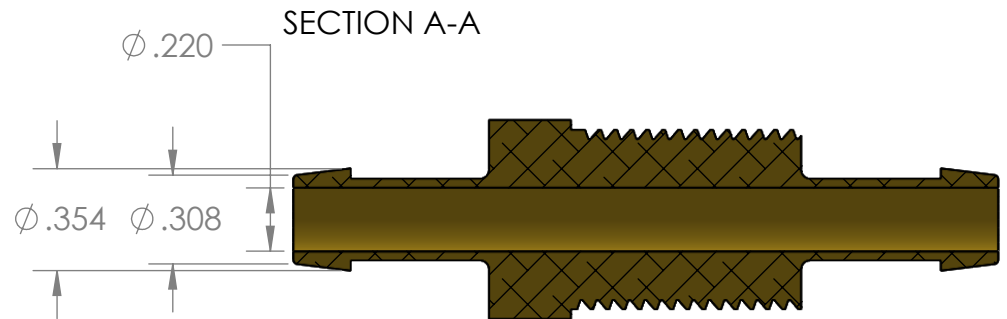
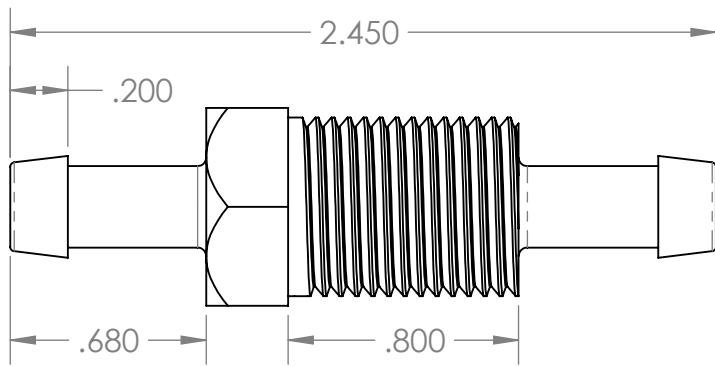
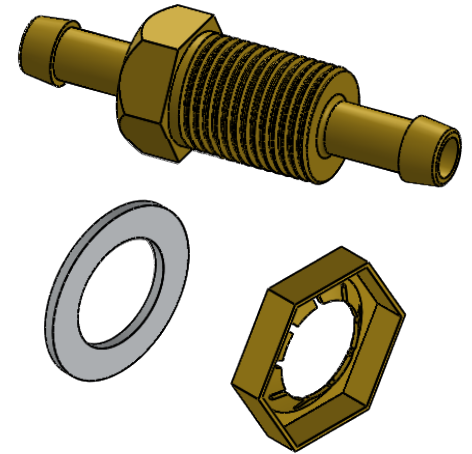
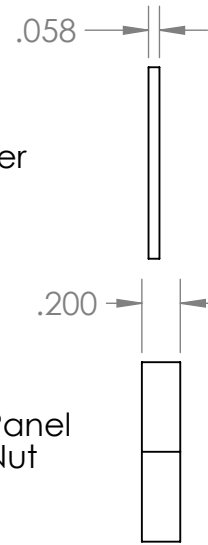


Washer



Panel Nut



PROPRIETARY AND CONFIDENTIAL

**Description**

THE INFORMATION CONTAINED IN THIS DRAWING IS THE SOLE PROPERTY OF INDUSTRIAL SPECIALTIES MFG. AND IS MED SPECIALITES. ANY REPRODUCTION IN PART OR AS A WHOLE WITHOUT THE WRITTEN PERMISSION OF INDUSTRIAL SPECIALTIES MFG. AND IS MED SPECIALITES IS PROHIBITED.

5/16" Hose Barb Panel Mount Connector, 5/8-18 UNF Panel Thread, Panel Nut Included, Brass

NAME DATE  
 DRAWN BY: M.E. 5/17/2017

SHEET 1 OF 1

SCALE: 2:1

DO NOT SCALE DRAWING

**PART#**  
 BHBB-516-B

REV  
 1



industrialspec.com | 800-781-8486