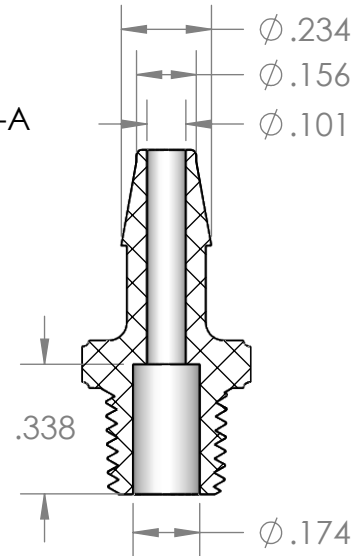


SECTION A-A



PROPRIETARY AND CONFIDENTIAL

Description

5/32" Hose Barb x 1/16" Male NPT Adapter,
Precision Molded, Natural Polypropylene

MFR# MEX59-PP0

THE INFORMATION CONTAINED IN THIS DRAWING IS THE SOLE PROPERTY OF INDUSTRIAL SPECIALTIES MFG. AND IS MED SPECIALITES. ANY REPRODUCTION IN PART OR AS A WHOLE WITHOUT THE WRITTEN PERMISSION OF INDUSTRIAL SPECIALTIES MFG. AND IS MED SPECIALITES IS PROHIBITED.

NAME	DATE
M.E.	4/26/2017

PART#
BFPM-532-1-PP

REV
1

SHEET 1 OF 1

SCALE: 2:1

DO NOT SCALE DRAWING



industrialspec.com | 800-781-8486