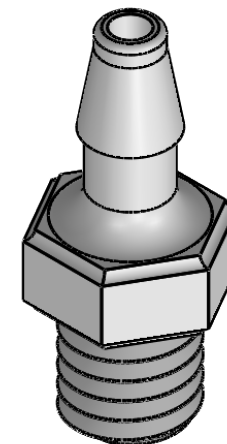
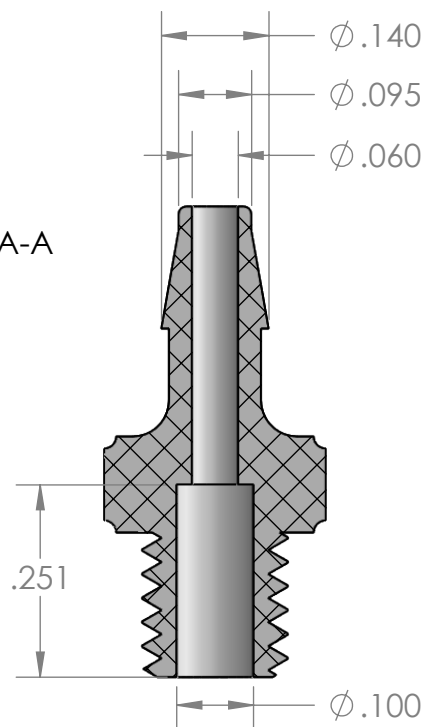


SECTION A-A



PROPRIETARY AND CONFIDENTIAL

Description

3/32" Hose Barb x 10-32 Male UNF Adapter,
Precision Molded, White Nylon

MFR# MEX72-NY2

THE INFORMATION CONTAINED IN THIS DRAWING IS THE SOLE PROPERTY OF INDUSTRIAL SPECIALTIES MFG. AND IS MED SPECIALITES. ANY REPRODUCTION IN PART OR AS A WHOLE WITHOUT THE WRITTEN PERMISSION OF INDUSTRIAL SPECIALTIES MFG. AND IS MED SPECIALITES IS PROHIBITED.

NAME	DATE
M.E.	4/25/2017

PART#
BFBM-332-1032-WN

REV
1

SHEET 1 OF 1

SCALE: 4:1

DO NOT SCALE DRAWING



industrialspec.com | 800-781-8486