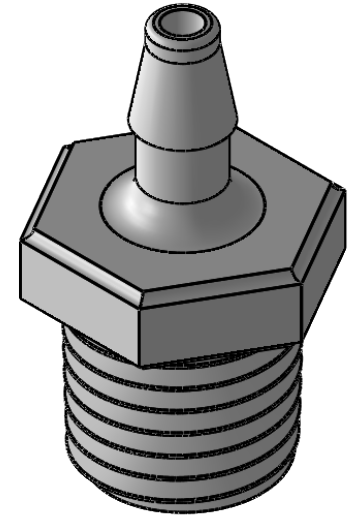
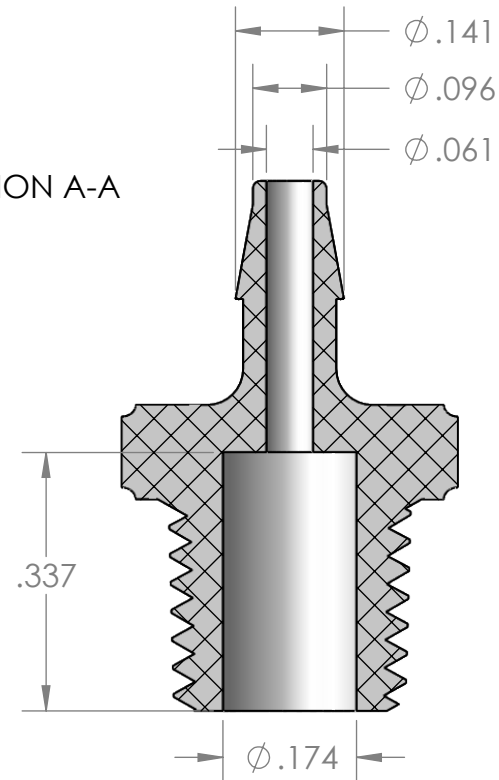


SECTION A-A



PROPRIETARY AND CONFIDENTIAL

Description

THE INFORMATION CONTAINED IN THIS DRAWING IS THE SOLE PROPERTY OF INDUSTRIAL SPECIALTIES MFG. AND IS MED SPECIALITES. ANY REPRODUCTION IN PART OR AS A WHOLE WITHOUT THE WRITTEN PERMISSION OF INDUSTRIAL SPECIALTIES MFG. AND IS MED SPECIALITES IS PROHIBITED.

3/32" Hose Barb x 1/16" Male NPT Adapter, Precision Molded, Clear Polycarbonate

MFR# MEX82-YC0

NAME	DATE
M.E.	4/25/2017

SHEET 1 OF 1

SCALE: 4:1

DO NOT SCALE DRAWING

PART#

BFPM-332-1-PC

REV
1



industrialspec.com | 800-781-8486