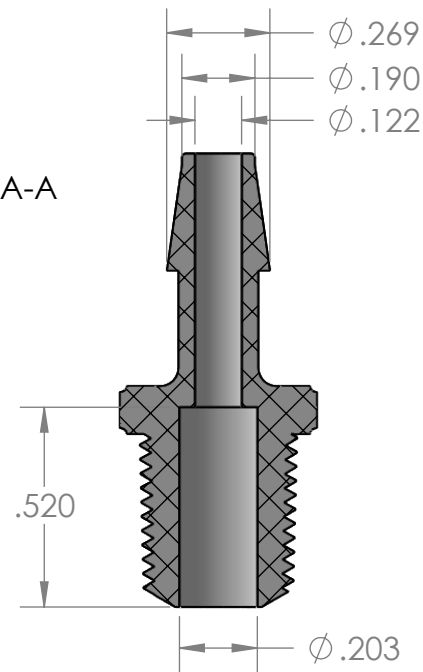


SECTION A-A



PROPRIETARY AND CONFIDENTIAL

Description

THE INFORMATION CONTAINED IN THIS DRAWING IS THE SOLE PROPERTY OF INDUSTRIAL SPECIALTIES MFG. AND IS MED SPECIALITES. ANY REPRODUCTION IN PART OR AS A WHOLE WITHOUT THE WRITTEN PERMISSION OF INDUSTRIAL SPECIALTIES MFG. AND IS MED SPECIALITES IS PROHIBITED.

3/16" Hose Barb x 1/8" Male NPT Adapter, Precision Molded, Clear Polycarbonate

MFR# MEX88-YC0

NAME DATE
DRAWN BY: M.E. 4/24/2017

SHEET 1 OF 1

SCALE: 2:1

DO NOT SCALE DRAWING

PART#
BFPM-316-2-PC

REV
1



industrialspec.com | 800-781-8486