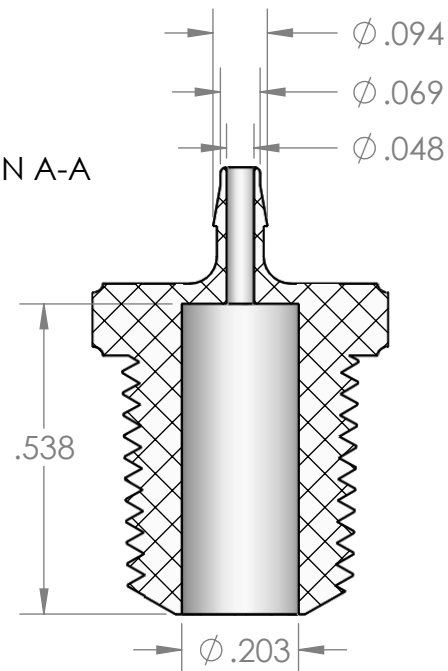


SECTION A-A



PROPRIETARY AND CONFIDENTIAL

**Description**

THE INFORMATION CONTAINED IN THIS DRAWING IS THE SOLE PROPERTY OF INDUSTRIAL SPECIALTIES MFG. AND IS MED SPECIALITES. ANY REPRODUCTION IN PART OR AS A WHOLE WITHOUT THE WRITTEN PERMISSION OF INDUSTRIAL SPECIALTIES MFG. AND IS MED SPECIALITES IS PROHIBITED.

1/16" Hose Barb x 1/8" Male NPT Adapter, Precision Molded, Natural Kynar

MFR# MEX45-DF0

NAME	DATE
M.E.	12/30/2016

**PART#**

BFPM-116-2-K

REV  
1

SHEET 1 OF 1

SCALE: 3:1

DO NOT SCALE DRAWING



**Industrial Specialties Mfg.**

**IS Med Specialties**

www.industrialspec.com  
800-781-8487