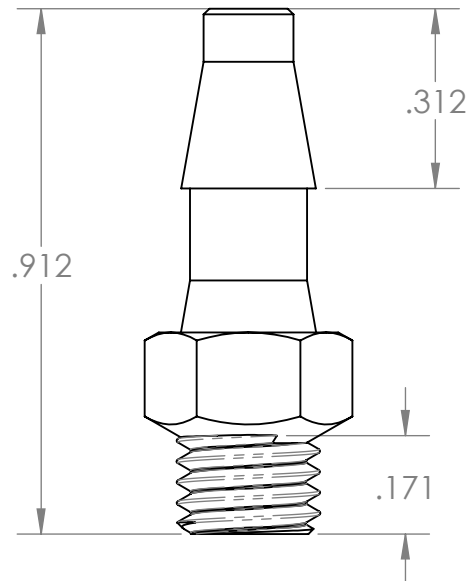
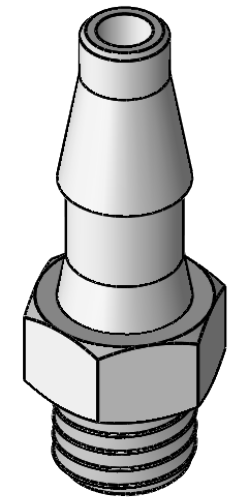
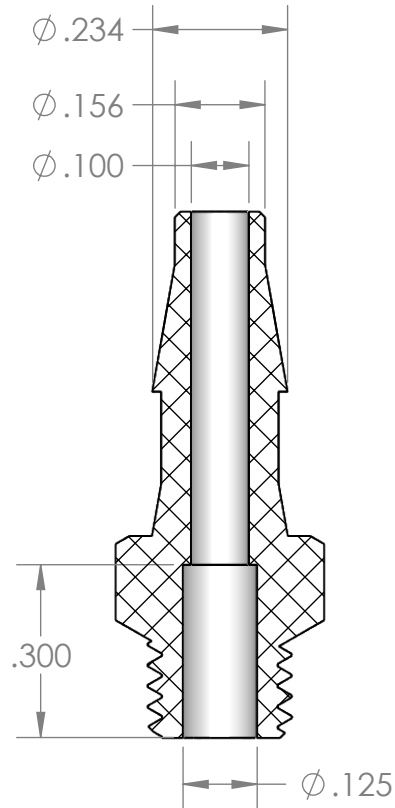


SECTION A-A



PROPRIETARY AND CONFIDENTIAL

Description

5/32" Hose Barb x 1/4-28 Male UNF Adapter,
Classic Hose Barb Style, White Nylon

THE INFORMATION CONTAINED IN THIS DRAWING IS THE SOLE PROPERTY OF INDUSTRIAL SPECIALTIES MFG. AND IS MED SPECIALITES. ANY REPRODUCTION IN PART OR AS A WHOLE WITHOUT THE WRITTEN PERMISSION OF INDUSTRIAL SPECIALTIES MFG. AND IS MED SPECIALITES IS PROHIBITED.

NAME	DATE
M.E.	1/30/2019

PART#	REV
BF-532V-1428-WN	1

SHEET 1 OF 1

SCALE: 2:1

DO NOT SCALE DRAWING

ISM Industrial Specialties Mfg. & IS MED Specialites (ISM)

industrialspec.com | 800-781-8486