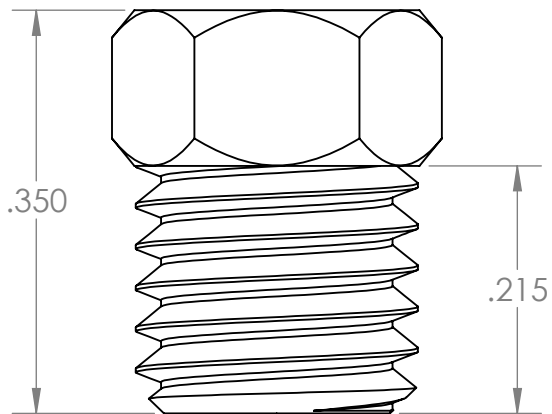
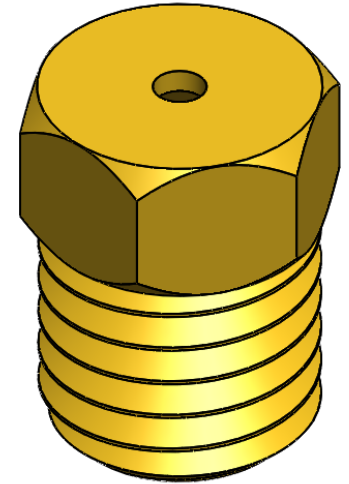
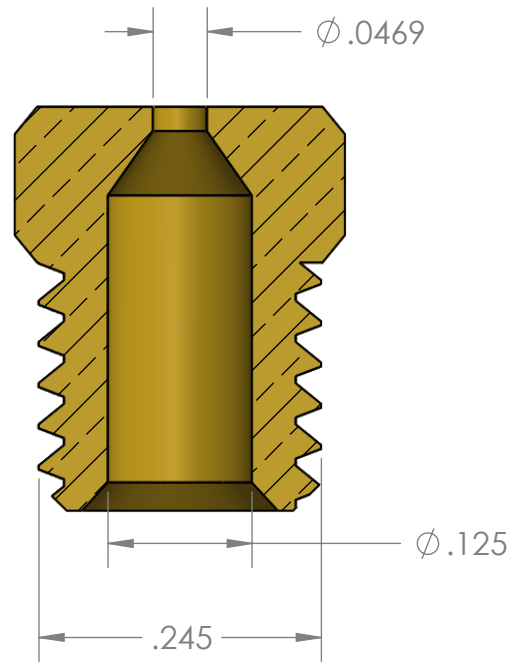


$\phi .0469$

SECTION A-A



PROPRIETARY AND CONFIDENTIAL

Description

THE INFORMATION CONTAINED IN THIS DRAWING IS THE SOLE PROPERTY OF INDUSTRIAL SPECIALTIES MFG. AND IS MED SPECIALITES. ANY REPRODUCTION IN PART OR AS A WHOLE WITHOUT THE WRITTEN PERMISSION OF INDUSTRIAL SPECIALTIES MFG. AND IS MED SPECIALITES IS PROHIBITED.

1/4-28 Male UNF Orifice Hex Plug,
0.0469" Orifice, Brass

NAME	DATE
M.E.	12/29/2015

PART#
AO-1428M-0469B

REV
1

SHEET 1 OF 1

SCALE: 6:1

DO NOT SCALE DRAWING



Industrial Specialties Mfg.

IS Med Specialties

www.industrial-spec.com
800-781-8487

5

4

3

2

1