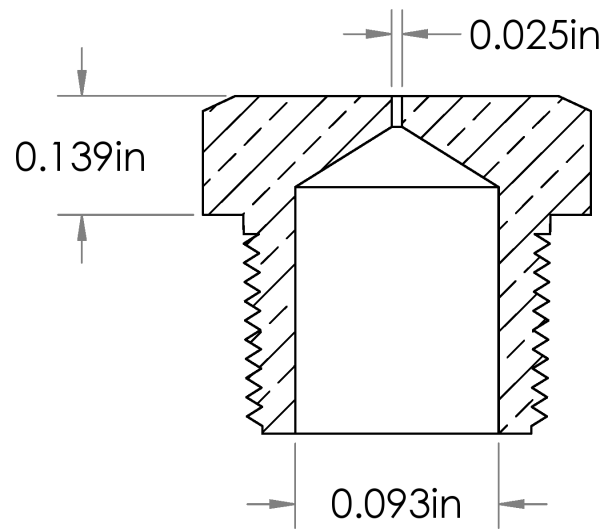
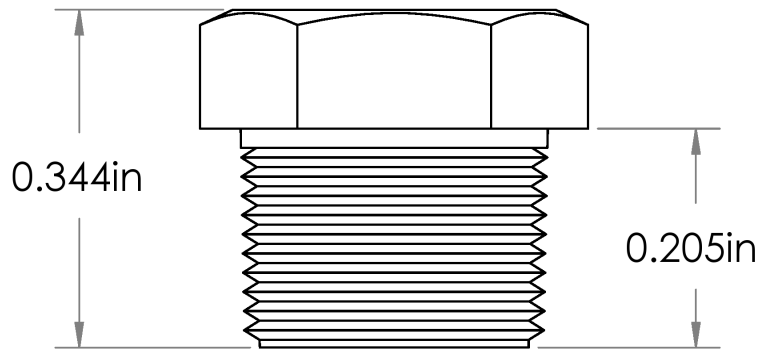


SECTION A-A



PROPRIETARY AND CONFIDENTIAL

Description

THE INFORMATION CONTAINED IN THIS DRAWING IS THE SOLE PROPERTY OF INDUSTRIAL SPECIALTIES MFG. AND IS MED SPECIALITES. ANY REPRODUCTION IN PART OR AS A WHOLE WITHOUT THE WRITTEN PERMISSION OF INDUSTRIAL SPECIALTIES MFG. AND IS MED SPECIALITES IS PROHIBITED.

10-32 Male UNF Orifice Plug, 0.025 Orifice, Brass

NAME DATE  
DRAWN BY: SCW 13-May-2015

PART#  
AO-1032M-025B

REV  
1

SHEET 1 OF 1

SCALE: 4:1

DO NOT SCALE DRAWING



**Industrial Specialties Mfg.**  
**IS Med Specialties**