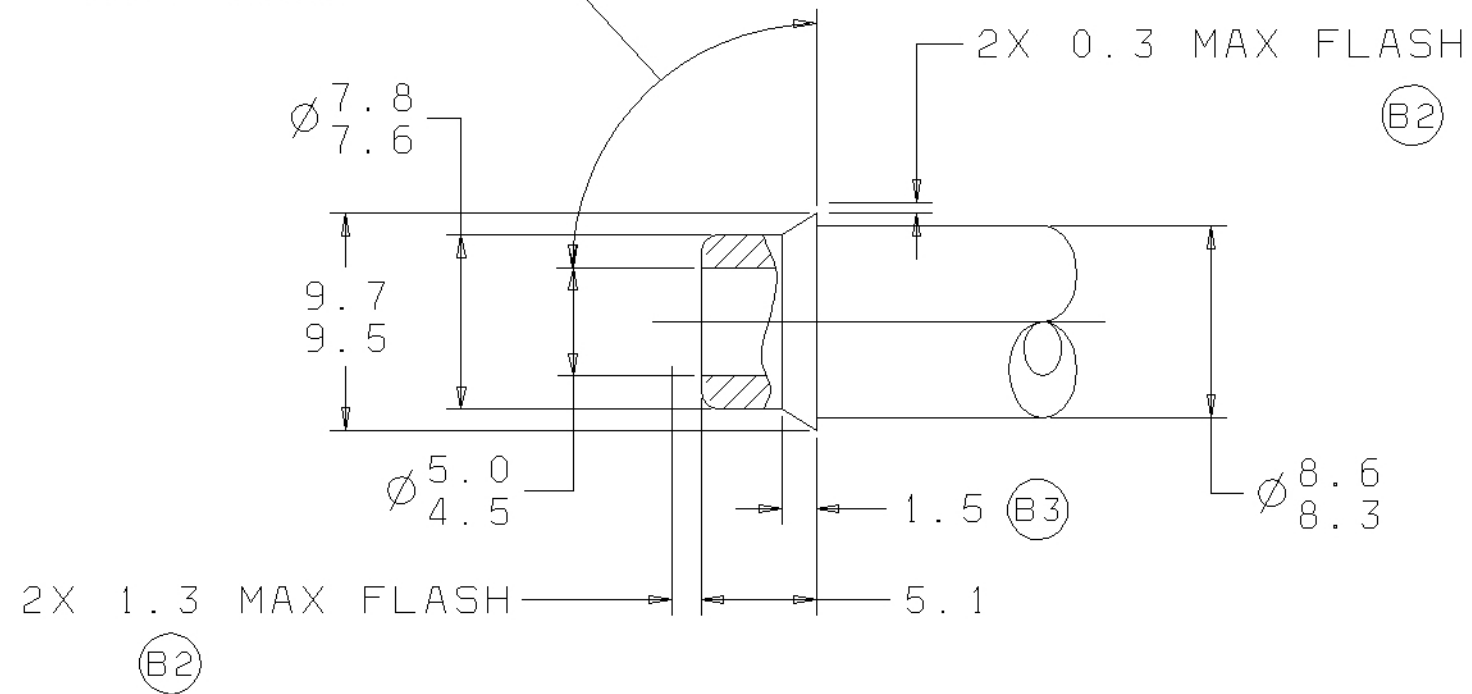
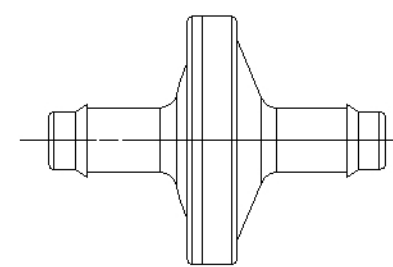


→
DIRECTION OF FLOW

NO FLASH OR PARTING LINE THIS AREA



PORT DETAIL
ALL DIM. 2-PLS.



ACTUAL SIZE

CHECK VALVE SPECIFICATIONS: (A2)

1. OPERATING TEMPERATURE RANGE $-20^{\circ}\text{F} - 250^{\circ}\text{F}$
2. FUNCTIONAL AT OPERATING PRESSURES BETWEEN 0.5 psi AND 15 psi

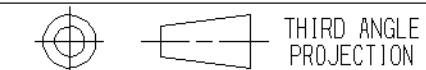
WITH 'VAC' SIDE OF VALVE PRESSURIZED TO 5 psi WITH THE VALVE UNDERWATER - ANY VISIBLE LEAKAGE CONSTITUTES FAILURE.

FORWARD FLOW WITH 5 psig APPLIED TO INLET TO BE 20 CFH MINIMUM.

(B3)	1.6 WAS 1.5	010809	
(B2)	2X ADDED DIM		
(B1)	$\varnothing 33.0/32.5$ WAS $\varnothing 31.75$		
UPDATED STANDARDS			
(A2)	ADDED SPECIFICATIONS 1 & 2	970725	P.J. MBL
(A1)	WAS $\varnothing 32/31.5$		
SYM.	REVISION	DATE	DRAWN CHECKED APPROVED

ORIGINAL WHEN RED

THIS DRAWING CONFORMS TO ASME Y14.5M-1994



THIRD ANGLE PROJECTION
UNLESS OTHERWISE SPECIFIED

ALL LINEAR DIM. $\pm .1$
ALL ANGULAR DIM. \pm
ALL FILLET RADIUS
ALL CORNER RADIUS
MAX. DRAFT
MAX. COMBINED PARTING LINE FLASH AND MISMATCH TO BE
SURFACE FINISH
EXTERIOR
INTERIOR

THE DATA, DRAWINGS, AND INFORMATION CONTAINED ON THIS DOCUMENT IS CONFIDENTIAL AND THE SOLE PROPERTY OF M.P.C. INC. AND MAY NOT BE REPRODUCED, USED, OR DISCLOSED WITHOUT PRIOR WRITTEN PERMISSION OF AN OFFICER OF M.P.C. INC.

VOLUME MM^3
CALCULATED BY CATIA
FROM MATH DATA MODEL

METRIC LINEAR DIMENSIONS ARE MM UNLESS NOTED

COMPUTER GRAPHICS CHANGE RESTRICTED NO MANUAL CHANGES

DO NOT SCALE NUMBER OF DECIMAL PLACES DOES NOT IMPLY A TOLERANCE

MINIATURE PRECISION COMPONENTS INC.
P.O. BOX 1901
WALWORTH, WI. 53184

SCALE 3:1	DRAWN BY DAB	CHECKED BY MBL	DSN ENGINEER MTV
DATE 890117	PRD ENGINEER	MFG ENGINEER	QC

FIRST USED

MATERIAL
BASE & COVER:
POLYPROPYLENE
REF: CS871
DIAPHRAGM: VITON

CUSTOMER NO.	DATE	REV.
--------------	------	------

TITLE 5/16" CHECK VALVE ASSEMBLY	REV. B3	SHT. 1/1
PART NUMBER A449		