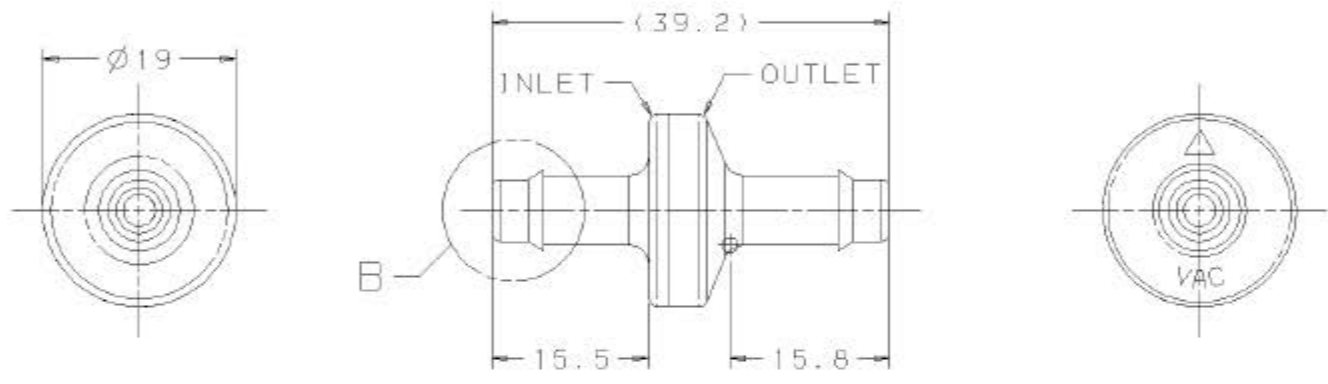
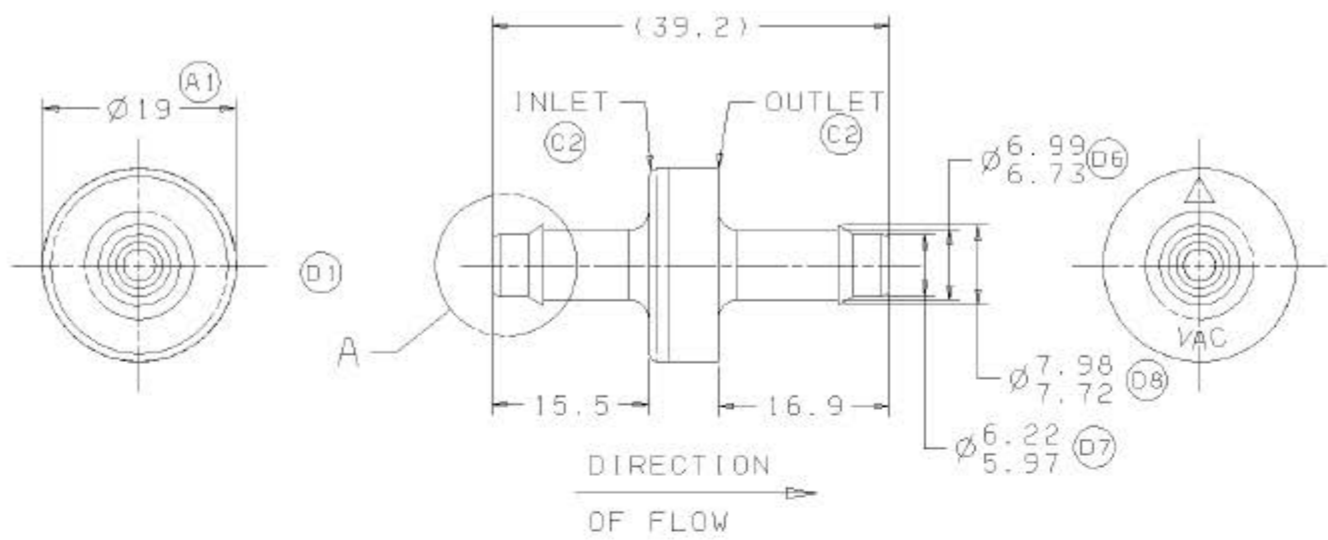
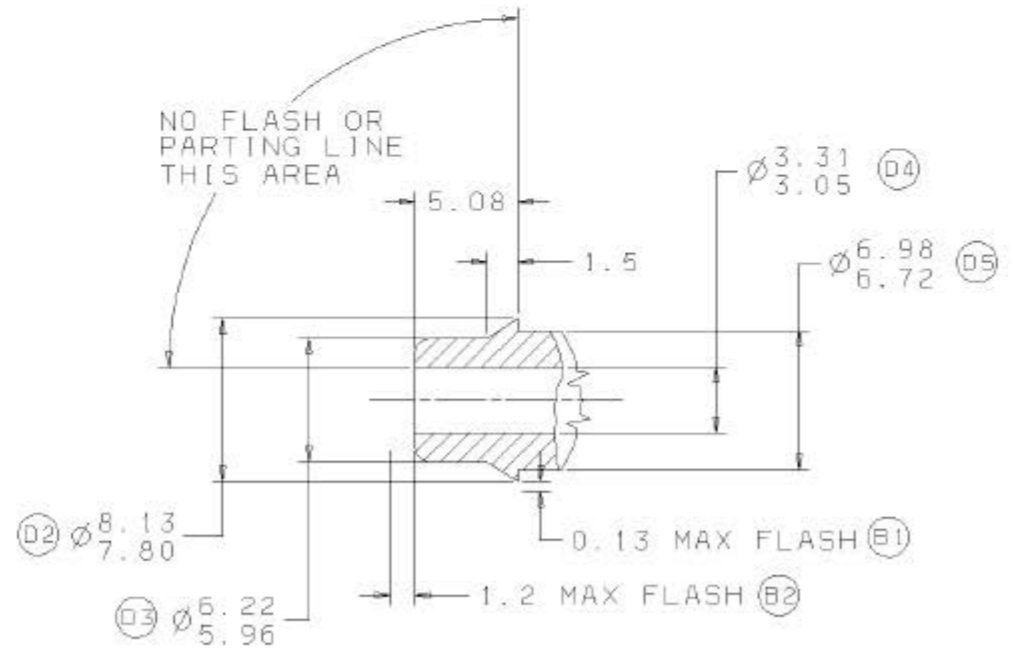


Approximate Weight: 0.0050 lbs.



OPTIONAL CONSTRUCTION



BARB DETAIL A & B
SCALE 4:1

2X ALL DIMENSIONS
(UNLESS OTHERWISE SPECIFIED)



ACTUAL SIZE

CHECK VALVE SPECIFICATIONS: (A2)

1. OPERATING TEMPERATURE: -20°F - 250°F
2. FUNCTIONAL AT OPERATING PRESSURES BETWEEN 0.5 psi AND 15 psi.
- (C1) 3. LEAKAGE MUST NOT EXCEED 2 CC/M WHEN OUTLET IS PRESSURIZED TO 5 psig.
4. FORWARD FLOW WITH 5 psig APPLIED TO INLET TO BE 15 CFH MINIMUM.

| | | | | |
|------|---|--------|----------|----------|
| (D8) | Ø7.98/7.72 WAS Ø7.95/7.75 | 011018 | APPROVED | APPROVED |
| (D7) | Ø6.22/5.97 WAS Ø6.2/6.0 | | | |
| (D6) | Ø6.99/6.73 WAS Ø7.0/6.7 | | | |
| (D5) | Ø6.98/6.72 WAS Ø7.0/6.7 | | | |
| (D4) | Ø3.31/3.05 WAS Ø3.3/3.1 | | | |
| (D3) | Ø6.22/5.96 WAS Ø6.2/6.0 | | | |
| (D2) | Ø8.13/7.80 WAS Ø8.1/7.9 | | | |
| (D1) | ADDED NEW CONSTRUCTION REDRAWN ON NEW FORMAT | | | |
| (C2) | INLET WAS BASE OUTLET WAS COVER | 990902 | APPROVED | MDK |
| (C1) | LEAKAGE NOTE CHANGED | | | |
| (B3) | REMOVED PROPRIETARY NOTE | 990712 | | |
| (B2) | ADDED 1.2 MAX FLASH | | | |
| (B1) | ADDED 0.13 MAX FLASH | | | |
| (A2) | ADDED SPECIFICATIONS 1 & 2 | 970725 | APPROVED | APPROVED |
| (A1) | WAS Ø19.1/19 | | | |
| SYM | REVISION | DATE | APPROVED | APPROVED |

DO NOT SCALE NUMBER OF DECIMAL PLACES DOES NOT IMPLY A TOLERANCE



ORIGINAL WHEN RED
THIS DRAWING CONFORMS TO ASME Y14.5M-1994
THIRD ANGLE PROJECTION
UNLESS OTHERWISE SPECIFIED
ALL LINEAR DIM. ± .1
ALL ANGULAR DIM. ± .5
ALL FILLET RADII
ALL CORNER RADII
MAX. DRAFT
MAX. COMBINED PARTING LINE FLASH AND MISMATCH TO BE
SURFACE FINISH
EXTERIOR
INTERIOR

| | | | | | | | |
|------------|--|--------------|-----|--------------|-----|--------------|-----|
| SCALE | 2:1 | DRAWN BY | DAB | CHECKED BY | MBL | DRN ENGINEER | MTV |
| DATE | 890117 | PRD ENGINEER | | MFG ENGINEER | | QC | |
| FIRST USED | A448 | | | | | | |
| MATERIAL | INLET & OUTLET: POLYPROPYLENE REF. CS871 (C2) DIAPHRAGM: VITON | | | | | | |

| | | | | | |
|-----------------|-----------------------------|----------|----|-----|-----------|
| CUSTOMER NUMBER | VARIOUS | DATE | | REV | |
| TITLE | ASSEMBLY - 1/4" CHECK VALVE | REVISION | D8 | D8 | SHEET 1/1 |

VOLUME CALCULATED BY CATIA FROM MATH DATA MODEL
METRIC LINEAR DIMENSIONS ARE MM UNLESS NOTED
COMPUTER GRAPHICS CHANGE RESTRICTED NO MANUAL CHANGES

PART NUMBER
A448