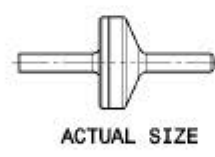
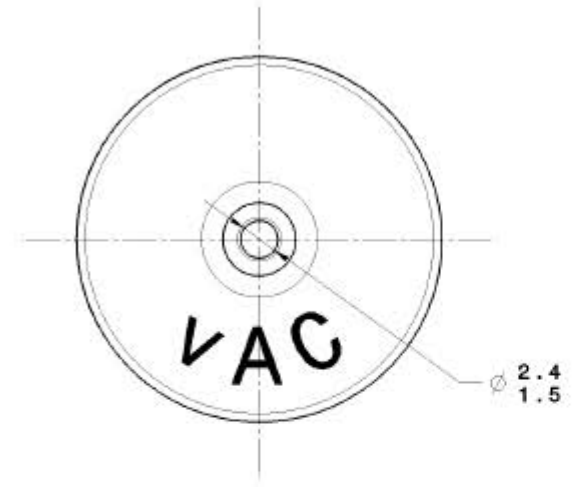
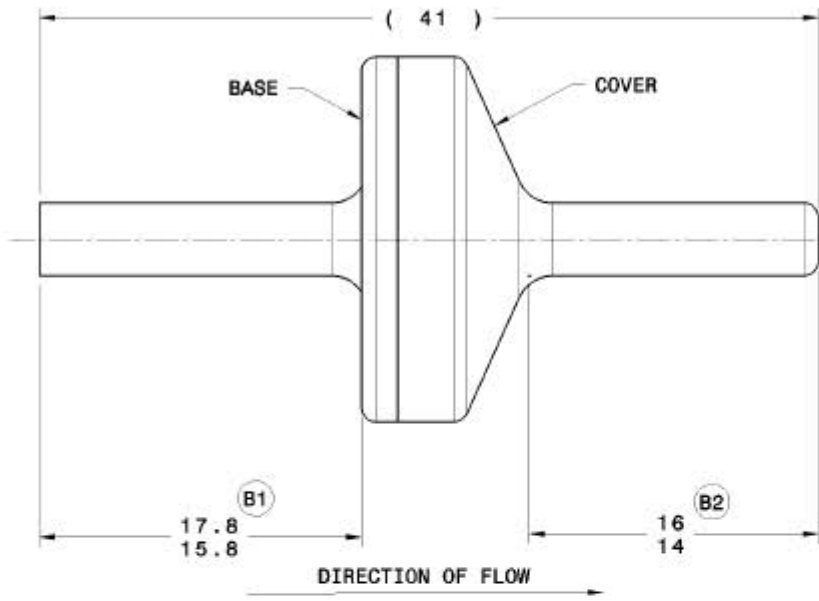
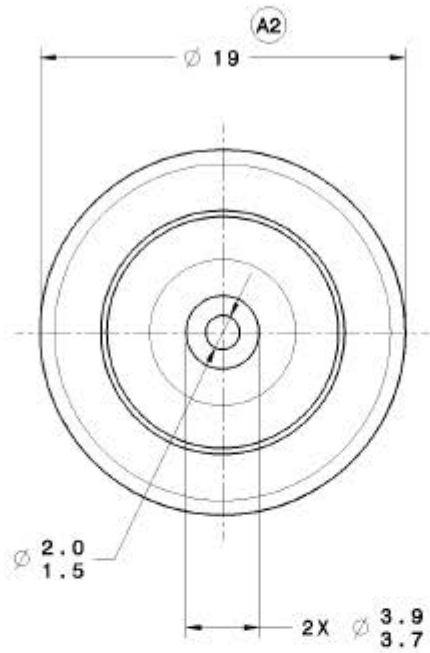


Approximate Weight: 0.0034 lbs.



- (B3) PRODUCTION LEAK TEST: WITH THE 'VAC' SIDE OF VALVE PRESSURIZED TO 3 PSI-LEAK RATE TO BE LESS THAN OR EQUAL TO 2 SCCM.
 - (A1) CHECK VALVE SPECIFICATION:
 1. OPERATING TEMPERATURE RANGE: -20° F - 250° F
 2. FUNCTIONAL OPERATING PRESSURES BETWEEN 0.5 PSI AND 15 PSI.
- FORWARD FLOW WITH 5 PSI g APPLIED TO INLET TO BE .12-- CFH MINIMUM.

(B3)	ADDED PROD LEAK TEST NOTE	080328	ENK CANADA	BRYIR	KATOI
(B2)	16/14 WAS 15				
(B1)	17.8/15.8 WAS 16.8				
(A2)	∅19 WAS ∅19.1/19.0	970725			
(A1)	ADDED SPECIFICATION 1 & 2	-	-	-	-
REV	DESCRIPTION	DATE	ENK DESIGN	ENK APPROVAL	AQP

WAS: _____ LAYOUT NUMBER: _____

DO NOT SCALE NUMBER OF DECIMAL PLACES DOES NOT IMPLY A TOLERANCE

DRAWN BY DAB	CHECKED BY MBL	DESIGNED BY MTV	SCALE 4:1
DATE 890117	DATE 890117	DATE 890117	DRAWING SIZE C
PRD ENGINEER -	MFG ENGINEER -	QC -	TOOL ENGINEER -
DATE -	DATE -	DATE -	DATE -

CUSTOMER NUMBER: VARIOUS DATE: _____ REV: _____

MATERIAL: BASE AND COVER: POLYPROPYLENE REF: CS871 DIAPHRAGM: VITON

DRAWING TITLE: 1/8" CHECK VALVE ASSEMBLY

MODL. REV	DRAWING REV	SHEET
	B	1/1

DRAWING NUMBER: A446

THIS DRAWING CONFORMS TO ASME Y14.5 - 1994

THIRD ANGLE PROJECTION

UNLESS OTHERWISE SPECIFIED

MAX COMBINED PARTING LINE FLASH AND MISMATCH TO BE _____

SURFACE FINISH
EXTERIOR
INTERIOR

WEIGHT (kg) - CAD 0.002	METRIC LINEAR DIMENSIONS ARE MM UNLESS NOTED
VOLUME (MM³) - CAD	

THE DATA, DRAWINGS, AND INFORMATION CONTAINED ON THIS DOCUMENT IS CONFIDENTIAL AND THE SOLE PROPERTY OF MPC INC. AND MAY NOT BE REPRODUCED, USED OR DISCLOSED WITHOUT PRIOR WRITTEN PERMISSION OF AN OFFICER OF MPC INC.