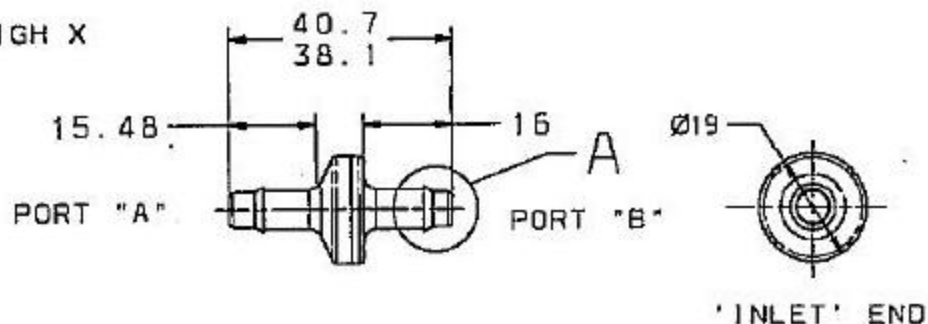
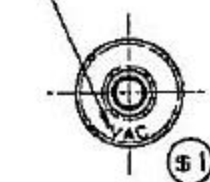


TEXT: 'VAC' 2 HIGH X
0.1-0.2 RAISED

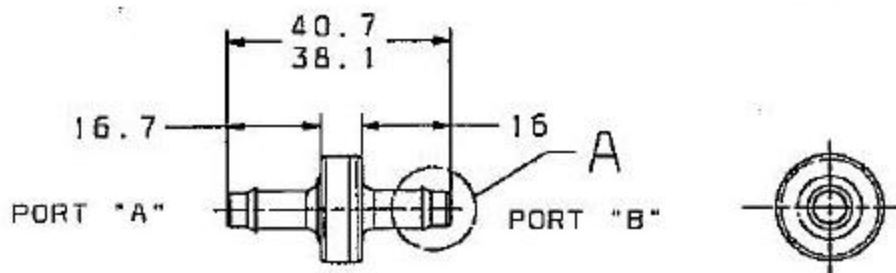


WITH 2.5 PSI APPLIED TO PORT "A" THE FLOW FROM PORT "A" TO PORT "B" MUST BE 1.5-5 L/MIN

WITH 3 PSI APPLIED TO PORT "A" AND PORT "B" CAPPED. THE VALVE MUST NOT LEAK MORE THAN 10 CCM

WITH 2.5 PSI APPLIED TO PORT "B" THE FLOW FROM PORT "B" TO PORT "A" MUST BE 10 L/MIN MINIMUM

'OUTLET' END

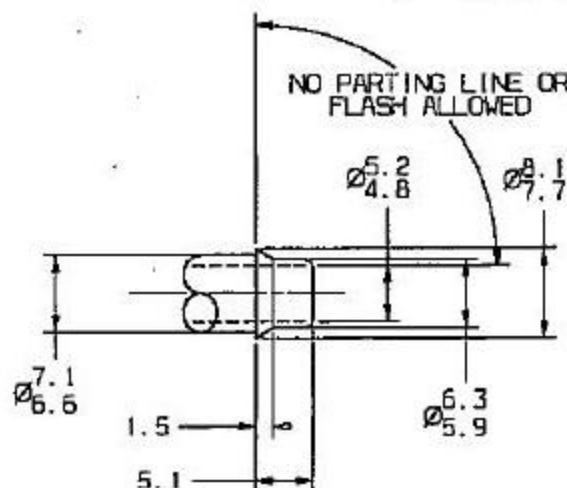


OPTIONAL CONSTRUCTION (3)

(3)	ADDED OPTIONAL CONSTRUCTION VIEWS	980612		
(2)	REMOVED U/O NUMBER			
(1)	REMOVED LOGO AND NOTE			
SYN.	REVISION	DATE	DR	CHK'D

WAS A741 REV. C1

NO PARTING LINE OR FLASH ALLOWED



VIEW IN CIRCLE A
SCALE 2:1

ORIGINAL WHEN RED

ORIGINAL

THIS DRAWING CONFORMS TO ASME Y14.5M-1994

THIRD ANGLE PROJECTION

UNLESS OTHERWISE SPECIFIED

- ALL LINEAR DIM. ± 1
- ALL ANGULAR DIM. ± 2°
- ALL FILLET RADI
- ALL CORNER RADI
- MAX. DRAFT
- MAX. COMBINED PARTING LINE FLASH AND MISMATCH TO BE

SURFACE FINISH
EXTERIOR
INTERIOR

(2)

DO NOT SCALE NUMBER OF DECIMAL PLACES DOES NOT IMPLY A TOLERANCE

MINIATURE PRECISION COMPONENTS INC.
P.O. BOX 1901
VALWORTH, WI. 53184

SCALE 1:1	DRAWN BY KVH	CHECKED BY SJA	DRN ENGINEER
DATE 980612	PRD ENGINEER MDK	WFD ENGINEER	DC

FIRST USED

MATERIAL
HOUSING: PVDF

DIAPHRAGM: FLUOROSILICONE

CUSTOMER NO.	DATE	REV.
--------------	------	------

TITLE	REV.	SHT.
-------	------	------

1/4 IN X 1/4 IN
CHECK VALVE
HIGH FLOW

1/1

THE DATA, DRAWINGS, AND INFORMATION CONTAINED ON THIS DOCUMENT IS CONFIDENTIAL AND THE SOLE PROPERTY OF M.P.C. INC., AND MAY NOT BE REPRODUCED, USED, OR DISCLOSED WITHOUT PRIOR WRITTEN PERMISSION OF AN OFFICER OF M.P.C. INC.

VOLUME CALCULATED BY CATIA FROM MATH DATA MODEL

METRIC LINEAR DIMENSIONS ARE MM UNLESS NOTED

COMPUTER GRAPHICS CHANGE RESTRICTED NO MANUAL CHANGES

PART NUMBER
A1176