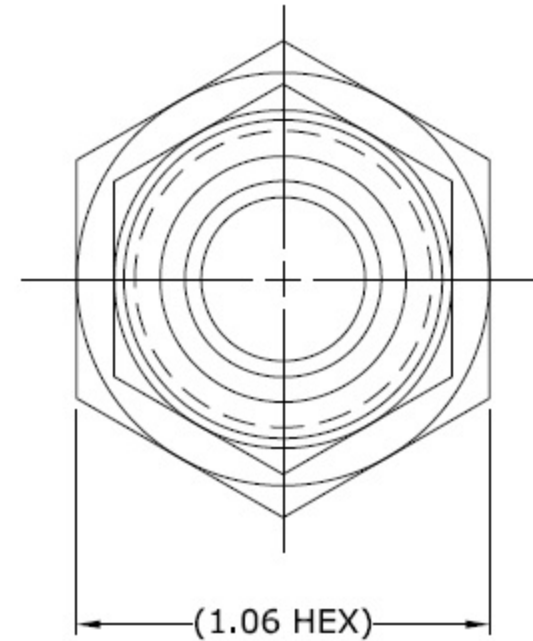


4	BEARING BRONZE
3	FITTING 1/2" MNPT
2	O-RING COM NO.1-016 70 DURO
1	BODY 1/2" FNPT



NOTES:

⚠️ ASSEMBLIES WITH BUNA O-RINGS:
LUBRICATE O-RING WITH DOW CORNING #111.
LUBRICATE BEARING SURFACE OF
BODY/FITTING/BEARING WITH MAGNALUBE G.

⚠️ ASSEMBLIES WITH EP O-RINGS:
LUBRICATE O-RING AND BEARING SURFACE OF
BODY/FITTING/BEARING WITH DOW CORNING
#3452.

PROPRIETARY AND CONFIDENTIAL

Description

THE INFORMATION CONTAINED IN THIS DRAWING IS THE SOLE PROPERTY OF INDUSTRIAL SPECIALTIES MFG. AND IS MED SPECIALTIES. ANY REPRODUCTION IN PART OR AS A WHOLE WITHOUT THE WRITTEN PERMISSION OF INDUSTRIAL SPECIALTIES MFG. AND IS MED SPECIALTIES IS PROHIBITED.

**1/2" Female NPT x 1/2" Male NPT Swivel,
Buna-N Seals, Brass**

NAME	DATE
M.E.	3/14/2019

PART#

ASX-8MF-BU-B

REV
1

SHEET 1 OF 1



Industrial Specialties Mfg.
IS Med Specialties