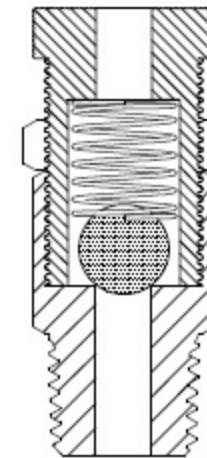
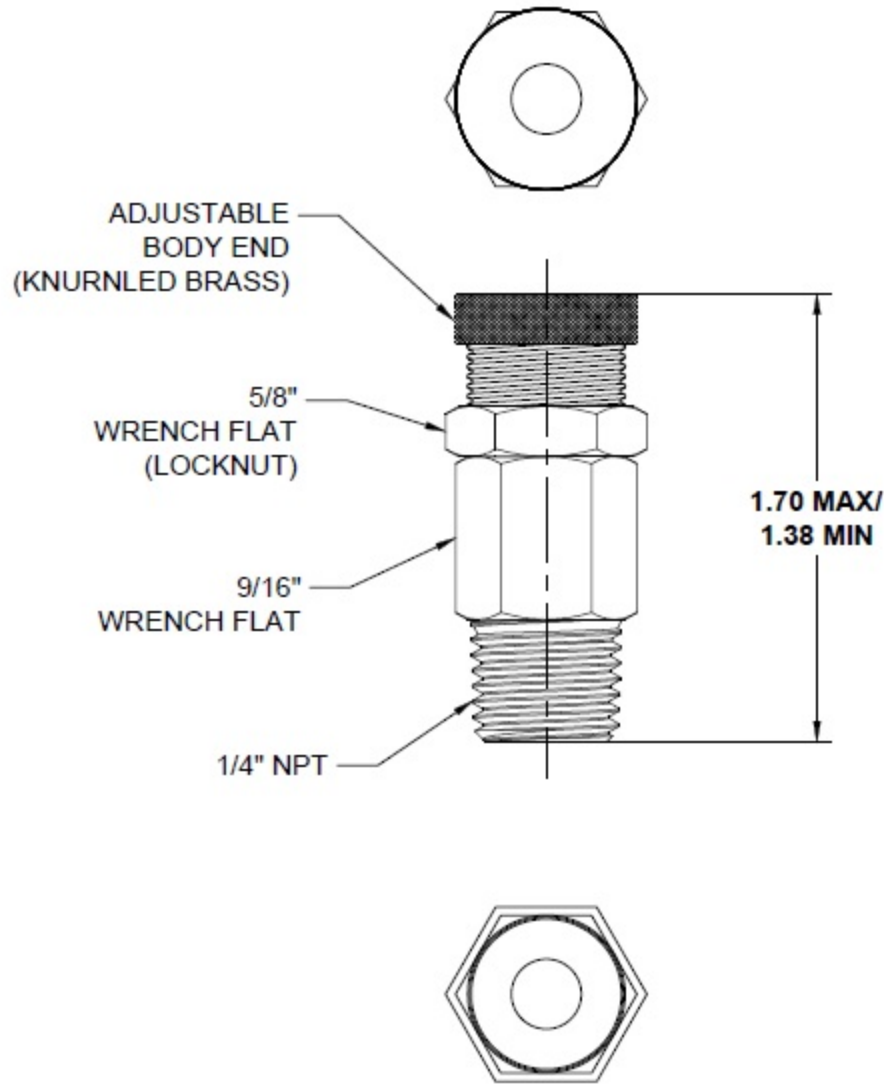


NOTES:

- BRASS BODY
- STAINLESS STEEL SPRING, BALL & POPPET
- PROPORTIONAL RELIEF VALVE
- UNFIRED PRESSURE VESSEL
- TEMPERATURE -65°F TO 250°F



MEDIA FLOW

PROPRIETARY AND CONFIDENTIAL

Description

THE INFORMATION CONTAINED IN THIS DRAWING IS THE SOLE PROPERTY OF INDUSTRIAL SPECIALTIES MFG. AND IS MED SPECIALITES. ANY REPRODUCTION IN PART OR AS A WHOLE WITHOUT THE WRITTEN PERMISSION OF INDUSTRIAL SPECIALTIES MFG. AND IS MED SPECIALITES IS PROHIBITED.

**1/4" Male NPT Relief Valve, 100-200 psi Pressure Range, Stainless Steel Spring, Nylon Poppet, Buna-N Seal, Brass**

	NAME	DATE
DRAWN BY:	M.E.	12/6/2019

PART#

**ARUC-4M-200#**

REV  
1

SHEET 1 OF 1



**Industrial Specialties Mfg.**  
**IS Med Specialties**