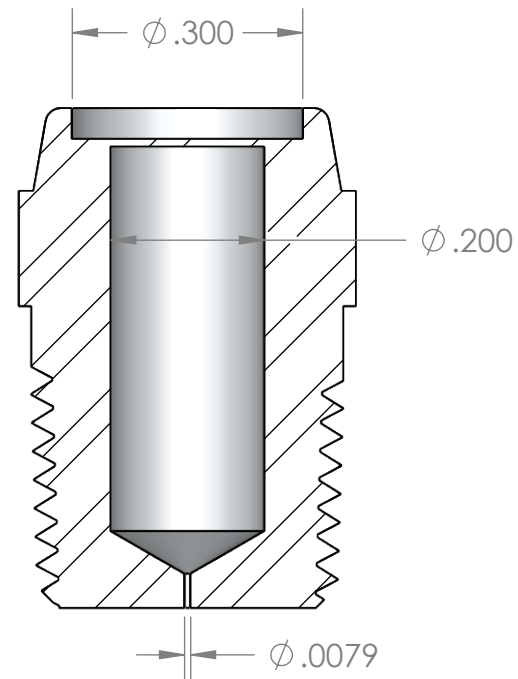
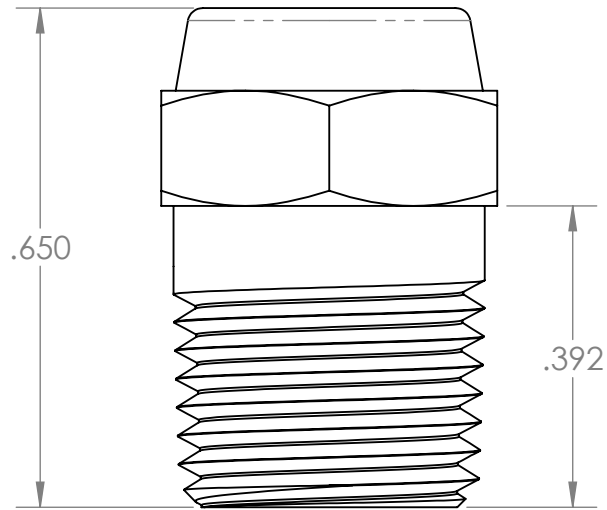


SECTION A-A



PROPRIETARY AND CONFIDENTIAL

**Description**

THE INFORMATION CONTAINED IN THIS DRAWING IS THE SOLE PROPERTY OF INDUSTRIAL SPECIALTIES MFG. AND IS MED SPECIALITES. ANY REPRODUCTION IN PART OR AS A WHOLE WITHOUT THE WRITTEN PERMISSION OF INDUSTRIAL SPECIALTIES MFG. AND IS MED SPECIALITES IS PROHIBITED.

1/8" Male NPT Filtered Orifice Plug,  
15 micron Stainless Steel Screen,  
0.0079" Orifice, 303 Stainless Steel

NAME	DATE
M.E.	11/12/2019

<b>PART#</b>	REV
AOJOS-2M-15-0079-SS	1

SHEET 1 OF 1
SCALE: 4:1
DO NOT SCALE DRAWING

**ISM** Industrial Specialties Mfg. & IS MED Specialites (ISM)  
[industrialspec.com](http://industrialspec.com) | 800-781-8486