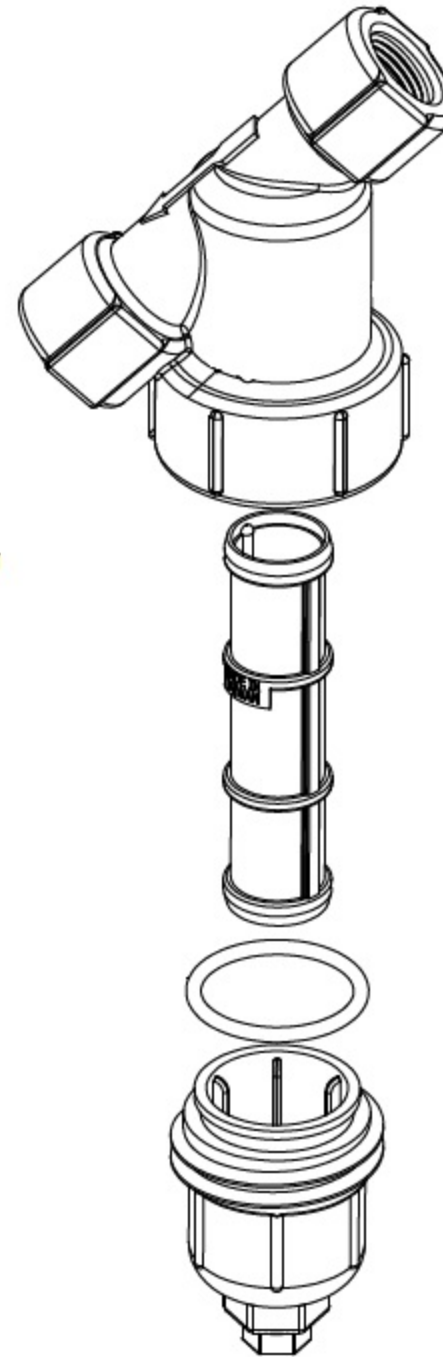


SECTION B-B

*NOTE:
4" ADDITIONAL
CLEARANCE
REQ'D FOR SCREEN
REMOVAL.



PROPRIETARY AND CONFIDENTIAL

Description

**1/2" Female NPT Large "Y" Strainer,
Viton Gasket, 20 Mesh Stainless Steel Screen,
Polypropylene**

THE INFORMATION CONTAINED IN THIS DRAWING IS FOR REFERENCE ONLY AND REMAINS THE SOLE PROPERTY OF INDUSTRIAL SPECIALTIES MFG. AND IS MED SPECIALTIES. ANY REPRODUCTION IN PART OR AS A WHOLE WITHOUT THE WRITTEN PERMISSION OF INDUSTRIAL SPECIALTIES MFG. AND IS MED SPECIALTIES IS PROHIBITED.

NAME	DATE
M.E.	1.13.2023

PART#

YSL-8-V-20-PP

REV
1

SHEET 1 OF 1

Reference Only

DO NOT SCALE DRAWING
All Dimensions are in Inches

ISM Industrial Specialties Mfg.
& IS Med Specialties

industrialspec.com | 720-729-2202