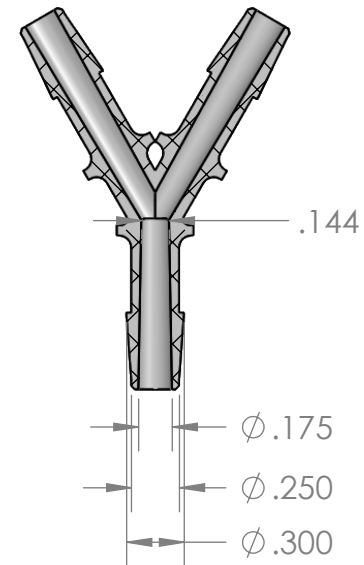


SECTION A-A



PROPRIETARY AND CONFIDENTIAL

Description

1/4" Hose Barb "Y" Connector, Polypropylene

THE INFORMATION CONTAINED IN THIS DRAWING IS THE SOLE PROPERTY OF INDUSTRIAL SPECIALTIES MFG. AND IS MED SPECIALITES. ANY REPRODUCTION IN PART OR AS A WHOLE WITHOUT THE WRITTEN PERMISSION OF INDUSTRIAL SPECIALTIES MFG. AND IS MED SPECIALITES IS PROHIBITED.

NAME	DATE
M.E.	4.6.2021

PART#
YJ-14-PP

REV
1

SHEET 1 OF 1

SCALE: 1:1

DO NOT SCALE DRAWING

ISM Industrial Specialties Mfg. & IS MED Specialties (ISM)
industrialspec.com | 800-781-8486