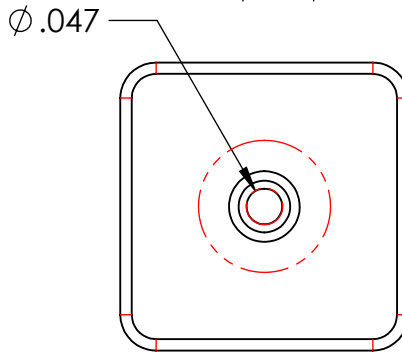
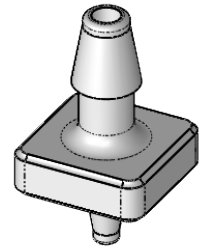
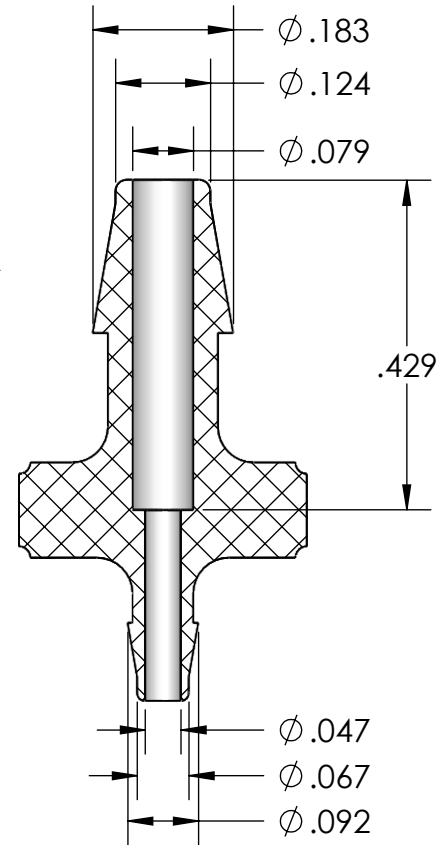


SECTION A-A



DIMENSIONS ARE IN INCHES UNLESS SPECIFIED. TOLERANCES ARE:
 FRACTIONS +/- .015
 2 PLACE DECIMAL +/- .010
 3 PLACE DECIMAL +/- .005
 ANGLES NOTED

PROPRIETARY AND CONFIDENTIAL

Description

1/8" Hose Barb x 1/16" Hose Barb Connector,
 Precision Molded, Natural Kynar

MFR# MAD51-DF0

THE INFORMATION CONTAINED IN THIS DRAWING IS FOR REFERENCE ONLY AND REMAINS THE SOLE PROPERTY OF INDUSTRIAL SPECIALTIES MFG. AND IS MED SPECIALITES. ANY REPRODUCTION IN PART OR AS A WHOLE WITHOUT THE WRITTEN PERMISSION OF INDUSTRIAL SPECIALTIES MFG. AND IS MED SPECIALITES IS PROHIBITED.

NAME	DATE
M.E.	5/11/2017
DRAWN BY:	
SHEET 1 OF 1	
SCALE: 4:1	
DO NOT SCALE DRAWING	

PART#	VCAPM-18116-K	REV	1
--------------	---------------	-----	---



Industrial Specialties Mfg.
IS Med Specialties
 www.industrialspec.com
 800-781-8487