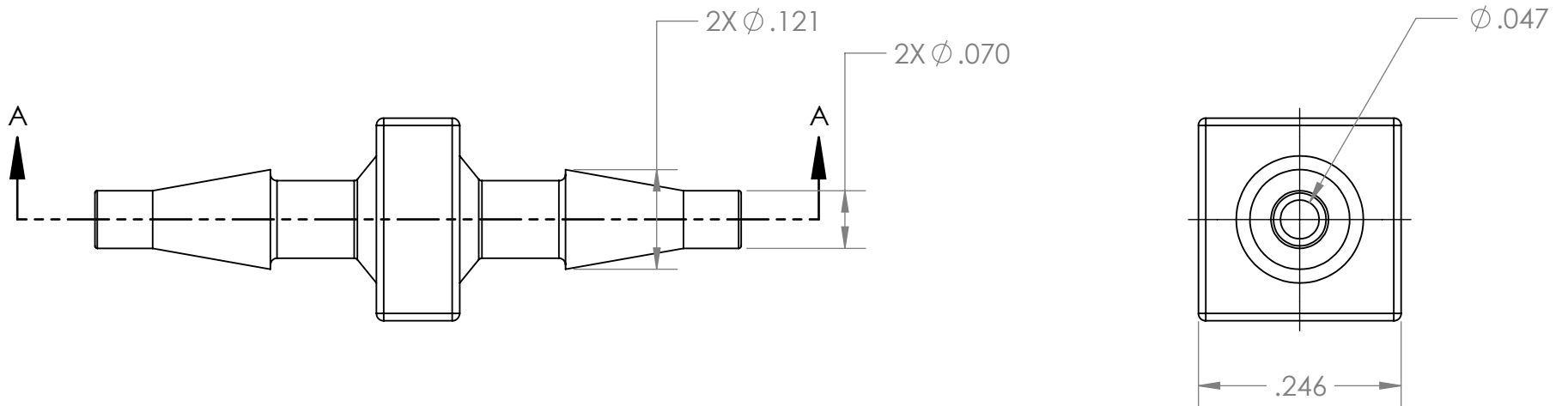
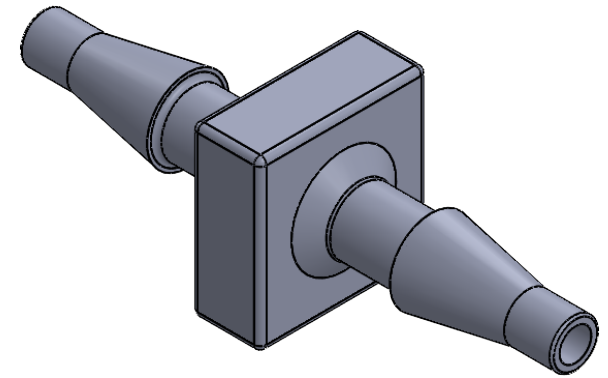


SECTION A-A
SCALE 5 : 1



FOR REFERENCE ONLY

PROPRIETARY AND CONFIDENTIAL

Description

1/16" Hose Barb Connector,
Natural Nylon

THE INFORMATION CONTAINED IN THIS DRAWING IS FOR REFERENCE ONLY AND REMAINS THE SOLE PROPERTY OF INDUSTRIAL SPECIALTIES MFG. AND IS MED SPECIALITES. ANY REPRODUCTION IN PART OR AS A WHOLE WITHOUT THE WRITTEN PERMISSION OF INDUSTRIAL SPECIALTIES MFG. AND IS MED SPECIALITES IS PROHIBITED.

NAME	DATE
M.K.	07.25.2022

SHEET 1 OF 1

SCALE: 4:1

DO NOT SCALE DRAWING

PART#

VCA-116-N

REV
2



industrialspec.com | 800-781-8486

5

4

3

2

1