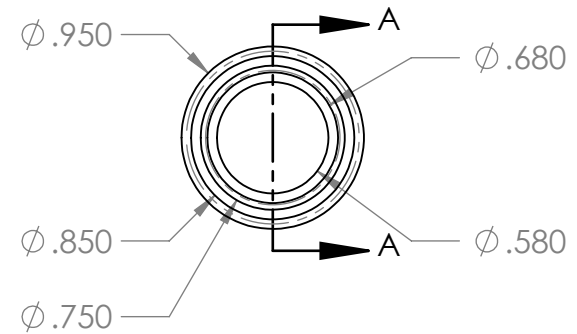
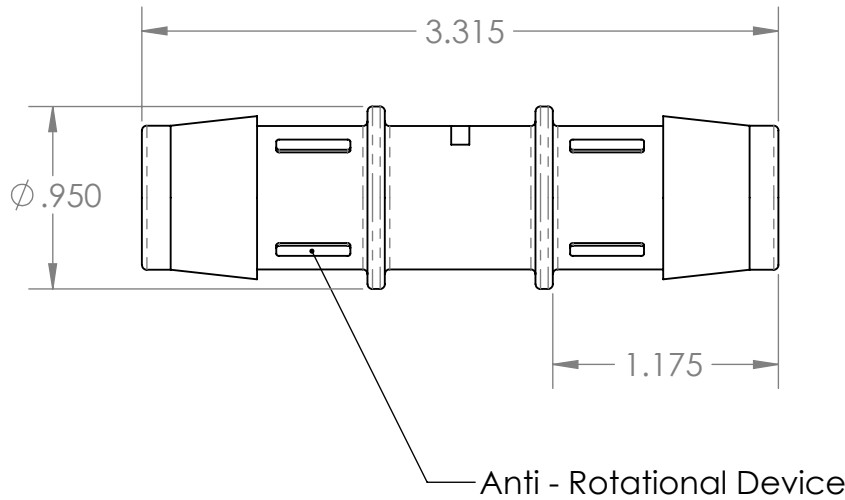



SECTION A-A



<b>PROPRIETARY AND CONFIDENTIAL</b>	<b>Description</b>	NAME	DATE	<b>PART#</b>	REV
THE INFORMATION CONTAINED IN THIS DRAWING IS THE SOLE PROPERTY OF INDUSTRIAL SPECIALTIES MFG. AND IS MED SPECIALITES. ANY REPRODUCTION IN PART OR AS A WHOLE WITHOUT THE WRITTEN PERMISSION OF INDUSTRIAL SPECIALTIES MFG. AND IS MED SPECIALITES IS PROHIBITED.	3/4" Hose Barb Connector, Natural Nylon	DRAWN BY: M.E.	8/31/2020	UCBJ-34-N	1
SHEET 1 OF 1				 <b>Industrial Specialties Mfg. &amp; IS MED Specialties (ISM)</b> <a href="http://industrialspec.com">industrialspec.com</a>   800-781-8486	
SCALE: 1:1					
DO NOT SCALE DRAWING					