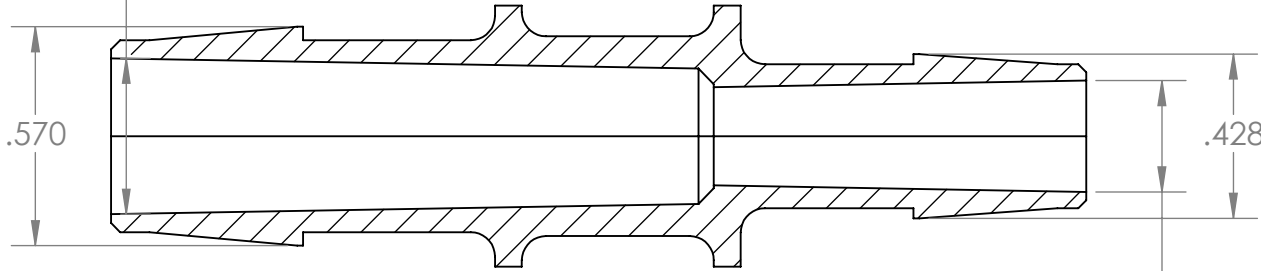
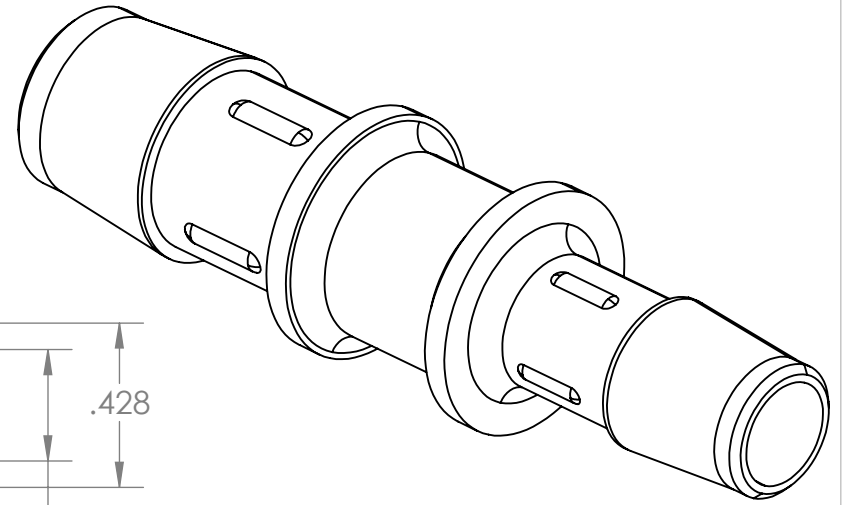


$\phi .406 -0.992^\circ \text{ DRFT}$

.570

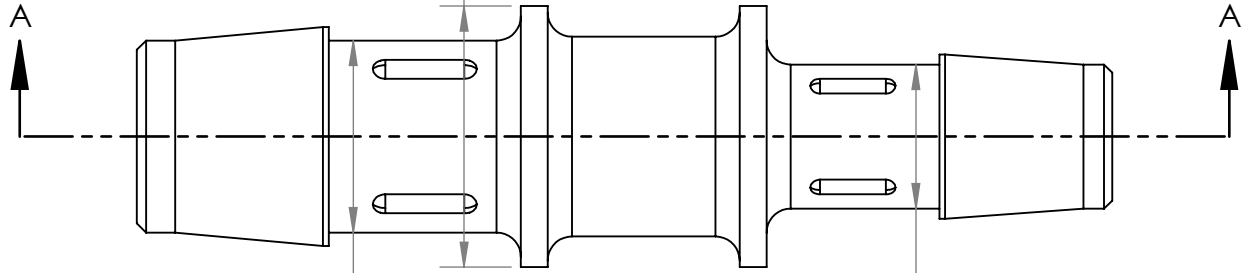


SECTION A-A



$\phi .290 -0.561^\circ \text{ DRFT}$

.680 X2



.500

.375

FOR REFERENCE ONLY

PROPRIETARY AND CONFIDENTIAL

Description

3/8" Hose Barb x 1/2" Hose Barb Connector,
White Polypropylene

THE INFORMATION CONTAINED IN THIS DRAWING IS FOR REFERENCE ONLY AND REMAINS THE SOLE PROPERTY OF INDUSTRIAL SPECIALTIES MFG. AND IS MED SPECIALITES. ANY REPRODUCTION IN PART OR AS A WHOLE WITHOUT THE WRITTEN PERMISSION OF INDUSTRIAL SPECIALTIES MFG. AND IS MED SPECIALITES IS PROHIBITED.

NAME	DATE
M.K.	08.23.2022

PART#
UCBJ-1238-WPP

REV
1

SHEET 1 OF 1

SCALE: 2:1

DO NOT SCALE DRAWING



industrialspec.com | 800-781-8486