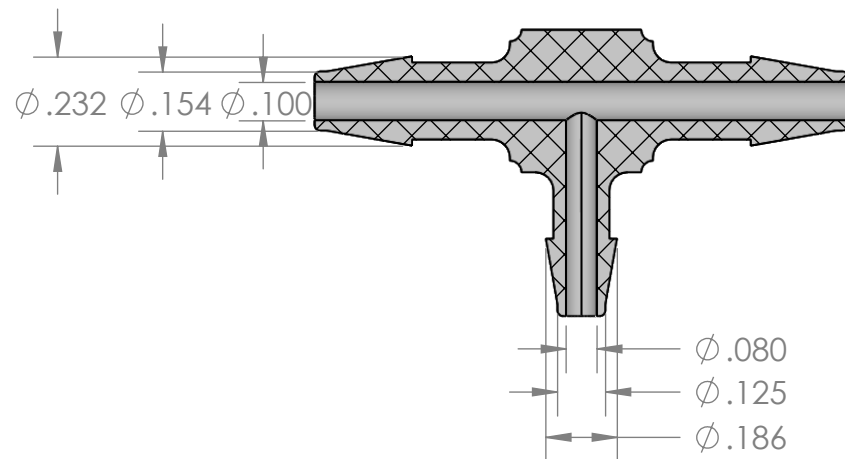
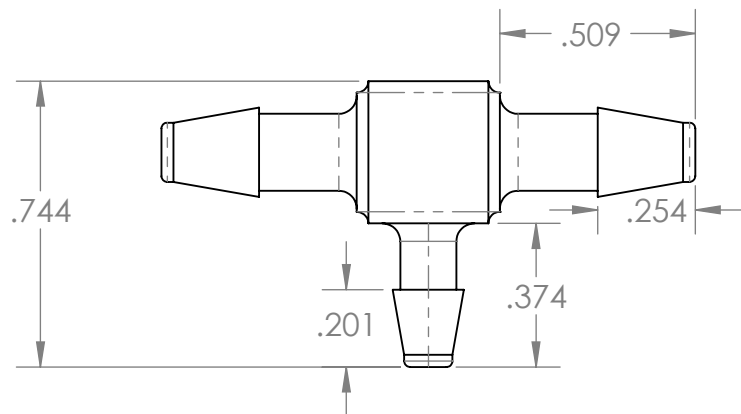


SECTION A-A



PROPRIETARY AND CONFIDENTIAL

**Description**

5/32" Hose Barb x 1/8" Hose Barb Tee,  
Precision Molded, Natural Polypropylene

MFR# MFC63-PP0

THE INFORMATION CONTAINED IN THIS DRAWING IS THE SOLE PROPERTY OF INDUSTRIAL SPECIALTIES MFG. AND IS MED SPECIALITES. ANY REPRODUCTION IN PART OR AS A WHOLE WITHOUT THE WRITTEN PERMISSION OF INDUSTRIAL SPECIALTIES MFG. AND IS MED SPECIALITES IS PROHIBITED.

NAME DATE  
DRAWN BY: M.E. 5/9/2017

PART#  
TAPM-53253218-PP

REV  
1

SHEET 1 OF 1

SCALE: 2:1

DO NOT SCALE DRAWING

**ISM** Industrial Specialties Mfg.  
& IS MED Specialites (ISM)

industrialspec.com | 800-781-8486