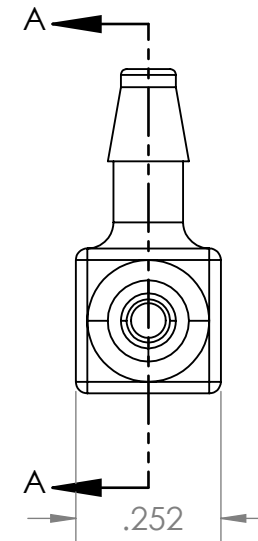
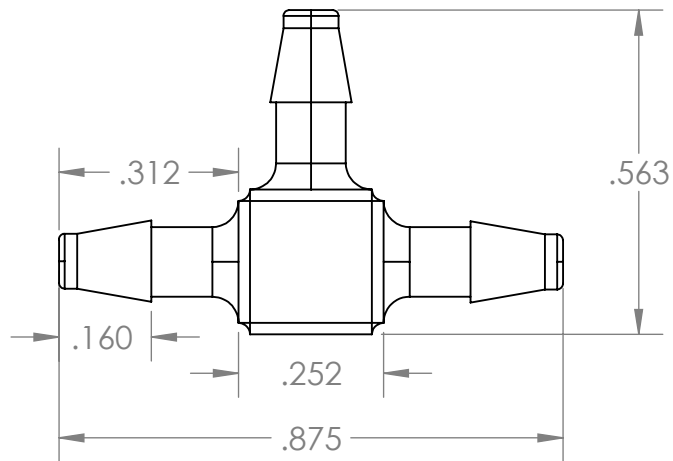
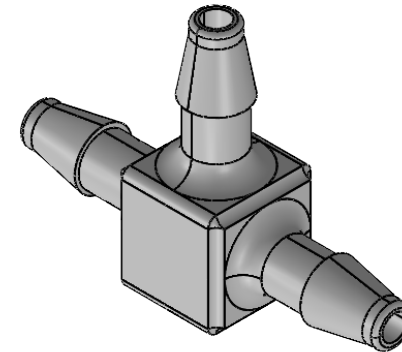
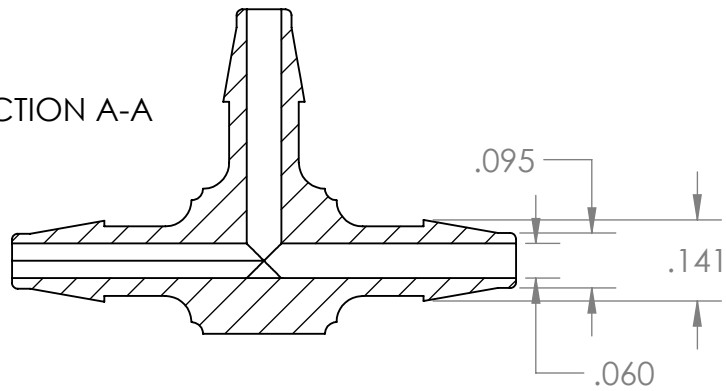


SECTION A-A



PROPRIETARY AND CONFIDENTIAL

Description

3/32" Hose Barb Tee, Precision Molded, White Nylon

THE INFORMATION CONTAINED IN THIS DRAWING IS THE SOLE PROPERTY OF INDUSTRIAL SPECIALTIES MFG. AND IS MED SPECIALITES. ANY REPRODUCTION IN PART OR AS A WHOLE WITHOUT THE WRITTEN PERMISSION OF INDUSTRIAL SPECIALTIES MFG. AND IS MED SPECIALITES IS PROHIBITED.

NAME DATE
DRAWN BY: M.S. 04/01/2022

PART#

TAPM-332-WN

REV
1

SHEET 1 OF 1

SCALE: 3:1

DO NOT SCALE DRAWING



industrialspec.com | 800-781-8486

5

4

3

2

1