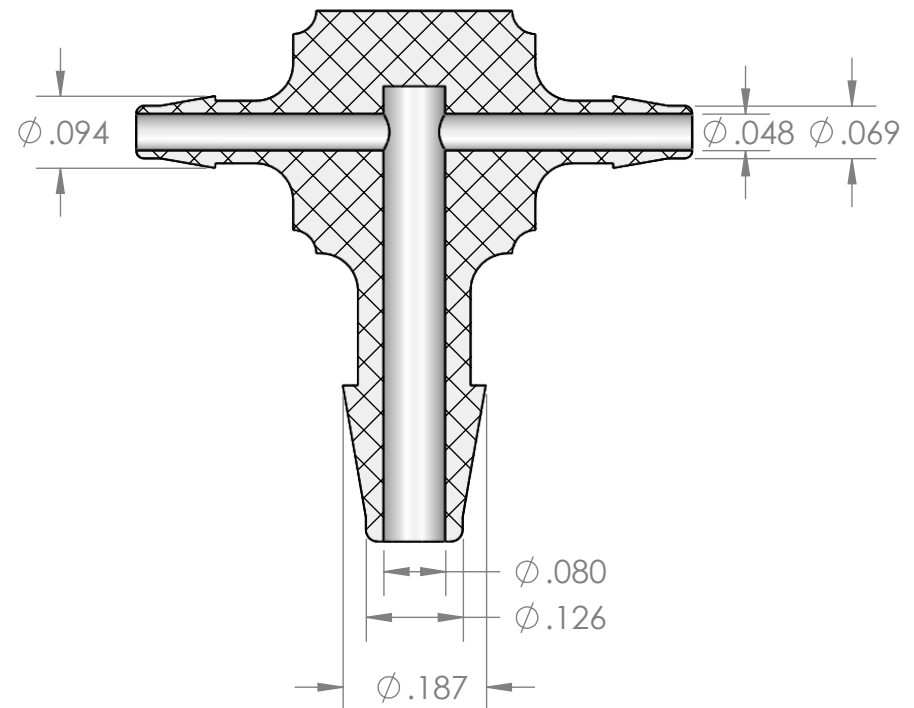


SECTION A-A



PROPRIETARY AND CONFIDENTIAL

**Description**

1/16" Hose Barb x 1/8" Hose Barb Tee,  
Precision Molded, White Nylon

MFR# MFD38-NY2

THE INFORMATION CONTAINED IN THIS DRAWING IS THE SOLE PROPERTY OF INDUSTRIAL SPECIALTIES MFG. AND IS MED SPECIALITES. ANY REPRODUCTION IN PART OR AS A WHOLE WITHOUT THE WRITTEN PERMISSION OF INDUSTRIAL SPECIALTIES MFG. AND IS MED SPECIALITES IS PROHIBITED.

NAME	DATE
M.E.	7/24/2017

**PART#**

T APM-11611618-WN

REV  
1

SHEET 1 OF 1

SCALE: 4:1

DO NOT SCALE DRAWING



industrialspec.com | 800-781-8486