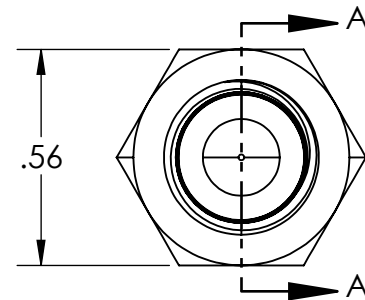
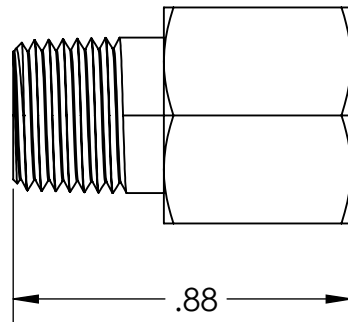


SECTION A-A



FOR REFERENCE ONLY

PROPRIETARY AND CONFIDENTIAL

Description

THE INFORMATION CONTAINED IN THIS DRAWING IS FOR REFERENCE ONLY AND REMAINS THE SOLE PROPERTY OF INDUSTRIAL SPECIALTIES MFG. AND IS MED SPECIALITES. ANY REPRODUCTION IN PART OR AS A WHOLE WITHOUT THE WRITTEN PERMISSION OF INDUSTRIAL SPECIALTIES MFG. AND IS MED SPECIALITES IS PROHIBITED.

1/8" Male NPT x 1/8" Female NPT Orifice Adapter, 0.0150" Brass Orifice, Brass Body

NAME DATE
DRAWN BY: M.E. 4.1.2024

PART#

RRD-2MF-0150B

REV
1

SHEET 1 OF 1

SCALE: 2:1

DO NOT SCALE DRAWING
All Dimensions are in Inches

ISM Industrial Specialties Mfg.
& IS Med Specialties

industrialspec.com | 720-729-2202