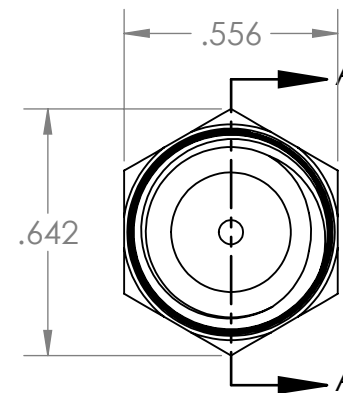
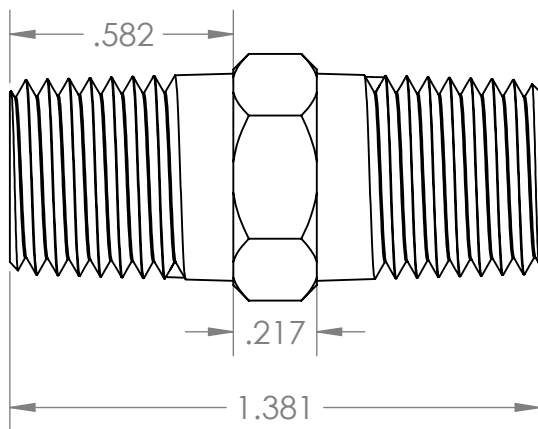
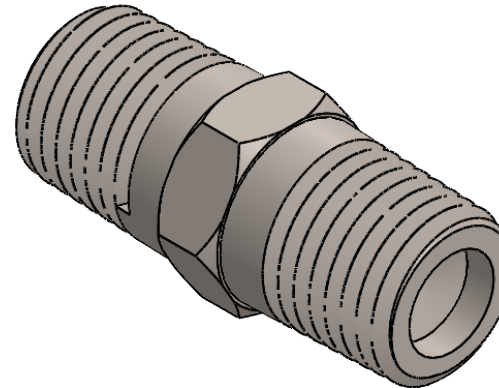


SECTION A-A



PROPRIETARY AND CONFIDENTIAL

Description

1/4" Male NPT Orifice Hex Nipple,
0.063" 303 Stainless Steel Orifice and Body

THE INFORMATION CONTAINED IN THIS DRAWING IS THE SOLE PROPERTY OF INDUSTRIAL SPECIALTIES MFG. AND IS MED SPECIALITES. ANY REPRODUCTION IN PART OR AS A WHOLE WITHOUT THE WRITTEN PERMISSION OF INDUSTRIAL SPECIALTIES MFG. AND IS MED SPECIALITES IS PROHIBITED.

NAME DATE
DRAWN BY: M.S. 03/02/2022

PART#
RIJ-4-063SS

REV
1

SHEET 1 OF 1

SCALE: 2:1

DO NOT SCALE DRAWING

ISM Industrial Specialties Mfg.
& IS MED Specialties (ISM)

industrialspec.com | 800-781-8486