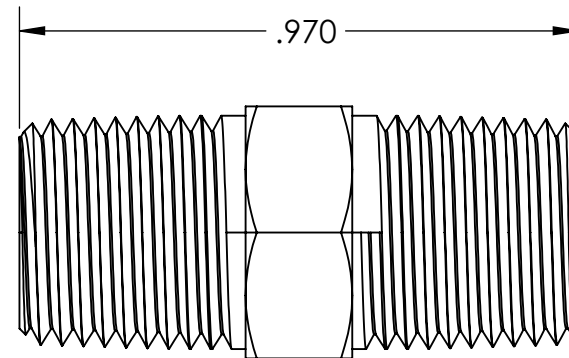
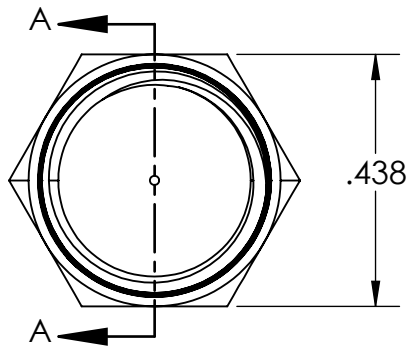
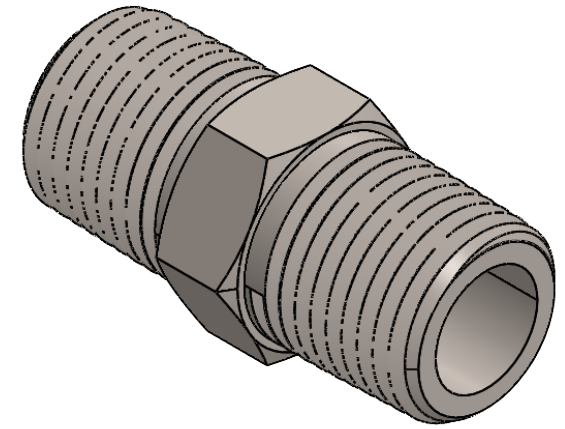


SECTION A-A



FOR REFERENCE ONLY

PROPRIETARY AND CONFIDENTIAL

**Description**

1/8" Male NPT Orifice Hex Nipple,  
0.016" Orifice, 303 Stainless Steel

THE INFORMATION CONTAINED IN THIS DRAWING IS FOR REFERENCE ONLY AND REMAINS THE SOLE PROPERTY OF INDUSTRIAL SPECIALTIES MFG. AND IS MED SPECIALITES. ANY REPRODUCTION IN PART OR AS A WHOLE WITHOUT THE WRITTEN PERMISSION OF INDUSTRIAL SPECIALTIES MFG. AND IS MED SPECIALITES IS PROHIBITED.

NAME	DATE
M.K.	01.25.2023

**PART#**

RIJ-2-016SS

REV  
1

SHEET 1 OF 1

SCALE: 3:1

DO NOT SCALE DRAWING  
All Dimensions are in Inches

**ISM** Industrial Specialties Mfg.  
& IS Med Specialties

industrialspec.com | 720-729-2202