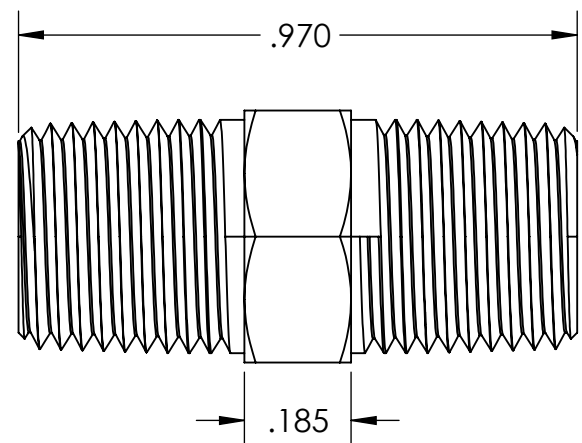
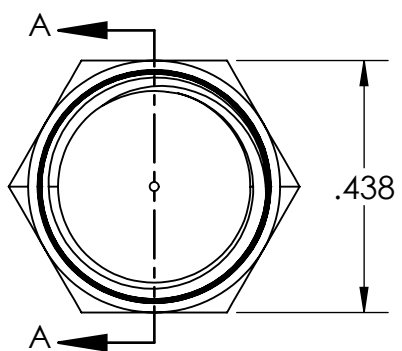
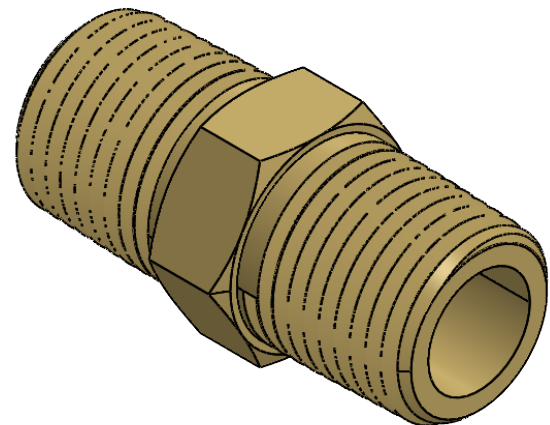



SECTION A-A



FOR REFERENCE ONLY

PROPRIETARY AND CONFIDENTIAL	Description	NAME	DATE	PART#	REV
THE INFORMATION CONTAINED IN THIS DRAWING IS FOR REFERENCE ONLY AND REMAINS THE SOLE PROPERTY OF INDUSTRIAL SPECIALTIES MFG. AND IS MED SPECIALITES. ANY REPRODUCTION IN PART OR AS A WHOLE WITHOUT THE WRITTEN PERMISSION OF INDUSTRIAL SPECIALTIES MFG. AND IS MED SPECIALITES IS PROHIBITED.	1/8" Male NPT Orifice Hex Nipple, 0.016" Orifice, Brass Orifice and Body	DRAWN BY: M.K.	01.26.2023	RIJ-2-016B	1
		SHEET 1 OF 1		 industrialspec.com 720-729-2202	
		SCALE: 3:1			
		DO NOT SCALE DRAWING All Dimensions are in Inches			