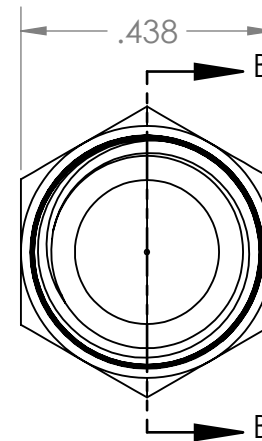
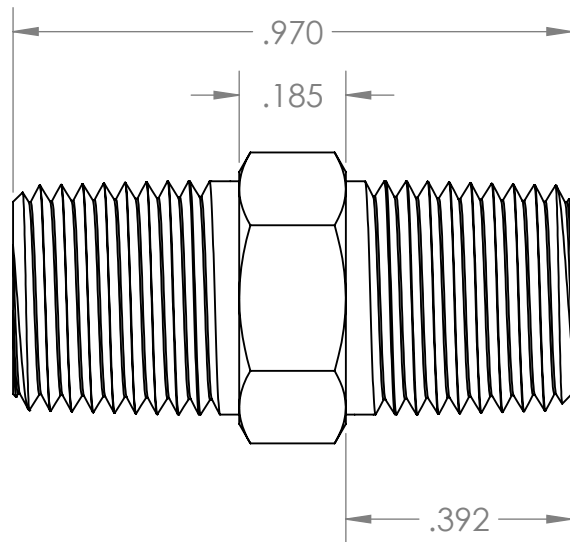
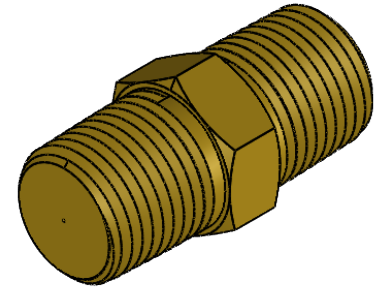
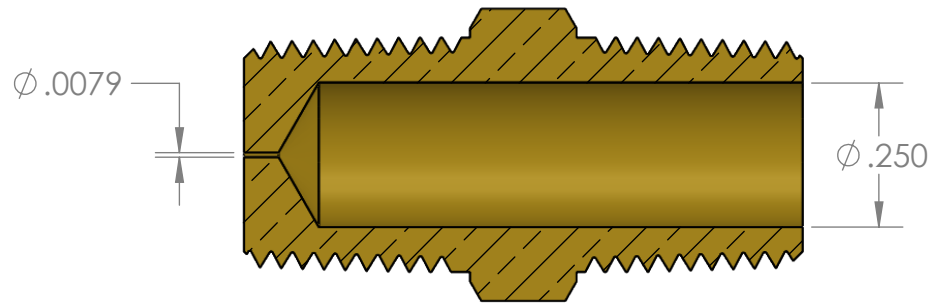


SECTION B-B



PROPRIETARY AND CONFIDENTIAL

Description

THE INFORMATION CONTAINED IN THIS DRAWING IS THE SOLE PROPERTY OF INDUSTRIAL SPECIALTIES MFG. AND IS MED SPECIALITES. ANY REPRODUCTION IN PART OR AS A WHOLE WITHOUT THE WRITTEN PERMISSION OF INDUSTRIAL SPECIALTIES MFG. AND IS MED SPECIALITES IS PROHIBITED.

1/8" Male NPT Orifice Hex Nipple,
0.0079" Orifice, Brass

NAME	DATE
DRAWN BY: M.E.	3.23.2022

PART#

RIJ-2-0079B

REV
1

SHEET 1 OF 1

SCALE: 2:1

DO NOT SCALE DRAWING

ISM Industrial Specialties Mfg. & IS MED Specialties (ISM)

industrialspec.com | 800-781-8486