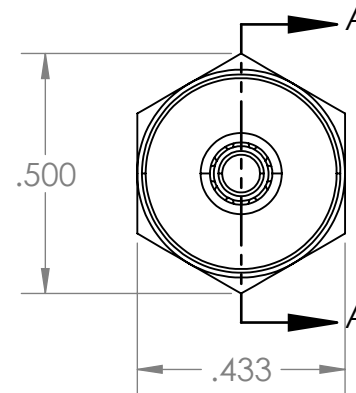
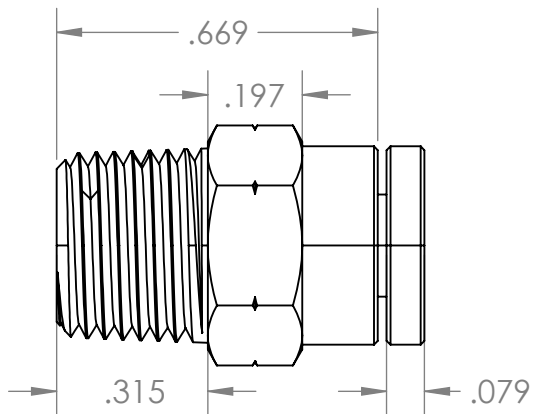
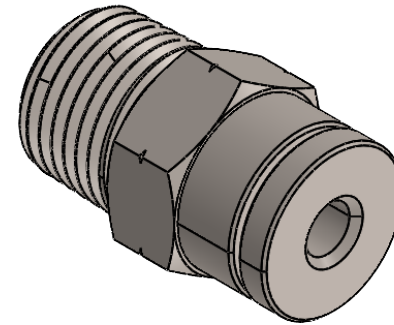


SECTION A-A
SCALE 2.5 : 1



PROPRIETARY AND CONFIDENTIAL

Description

1/8" Push-In x 1/8" Male NPT Adapter,
316 Stainless Steel

THE INFORMATION CONTAINED IN THIS DRAWING IS THE SOLE PROPERTY OF INDUSTRIAL SPECIALTIES MFG. AND IS MED SPECIALITES. ANY REPRODUCTION IN PART OR AS A WHOLE WITHOUT THE WRITTEN PERMISSION OF INDUSTRIAL SPECIALTIES MFG. AND IS MED SPECIALITES IS PROHIBITED.

NAME DATE
DRAWN BY: M.S. 05/17/2022

PART#
QCSW-18-2M-SS316

REV
1

SHEET 1 OF 1

SCALE: 2:1

DO NOT SCALE DRAWING



industrialspec.com | 800-781-8486