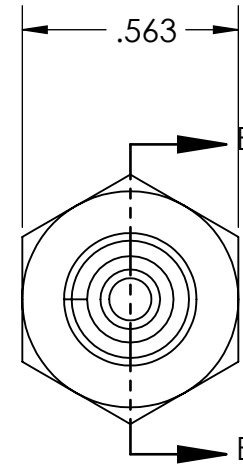
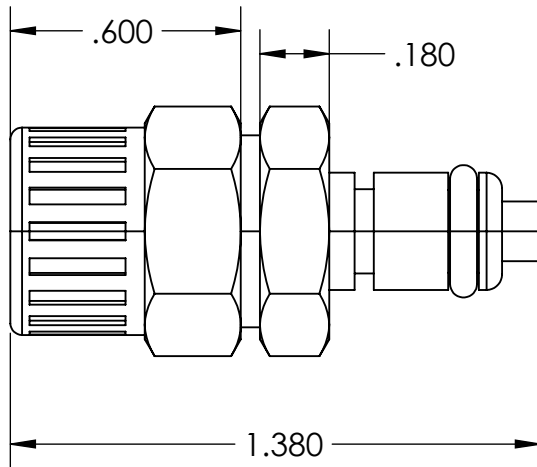
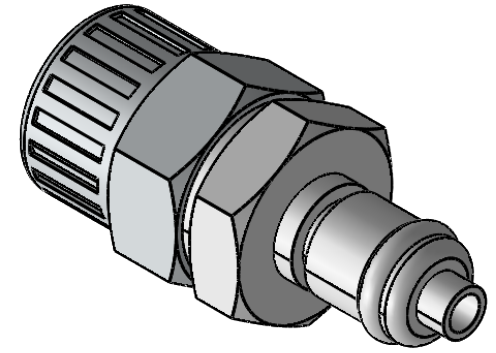


SECTION B-B



FOR REFERENCE ONLY

PROPRIETARY AND CONFIDENTIAL

Description

THE INFORMATION CONTAINED IN THIS DRAWING IS FOR REFERENCE ONLY AND REMAINS THE SOLE PROPERTY OF INDUSTRIAL SPECIALTIES MFG. AND IS MED SPECIALITES. ANY REPRODUCTION IN PART OR AS A WHOLE WITHOUT THE WRITTEN PERMISSION OF INDUSTRIAL SPECIALTIES MFG. AND IS MED SPECIALITES IS PROHIBITED.

3/8" Poly-Tube Fitting Valved Plug, 1/8" Flow, Buna-N Seals, Acetal

NAME	DATE
M.E.	6.30.2022

PART#
PMCD2006

REV
1

SHEET 1 OF 1



SCALE: 2:1

industrialspec.com | 800-781-8486

DO NOT SCALE DRAWING