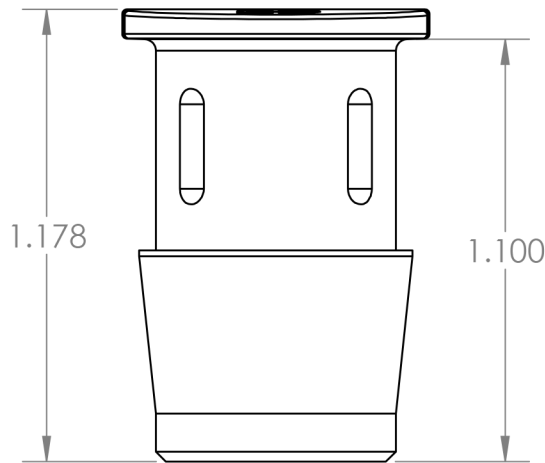
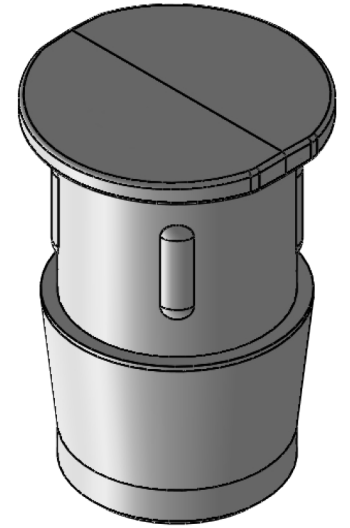
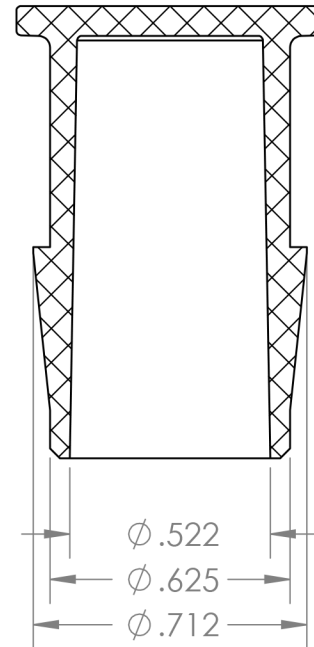


R.413



SECTION A-A



PROPRIETARY AND CONFIDENTIAL

**Description**

THE INFORMATION CONTAINED IN THIS DRAWING IS THE SOLE PROPERTY OF INDUSTRIAL SPECIALTIES MFG. AND IS MED SPECIALITES. ANY REPRODUCTION IN PART OR AS A WHOLE WITHOUT THE WRITTEN PERMISSION OF INDUSTRIAL SPECIALTIES MFG. AND IS MED SPECIALITES IS PROHIBITED.

5/8" Hose Barb Plug,  
Non-Animal Derived Polypropylene

|      |           |
|------|-----------|
| NAME | DATE      |
| M.E. | 3.24.2022 |

**PART#**  
PJ-58-PP

**REV**  
1

SHEET 1 OF 1

SCALE: 2:1

DO NOT SCALE DRAWING

**ISM** Industrial Specialties Mfg. & IS MED Specialties (ISM)  
industrialspec.com | 800-781-8486

5

4

3

2

1