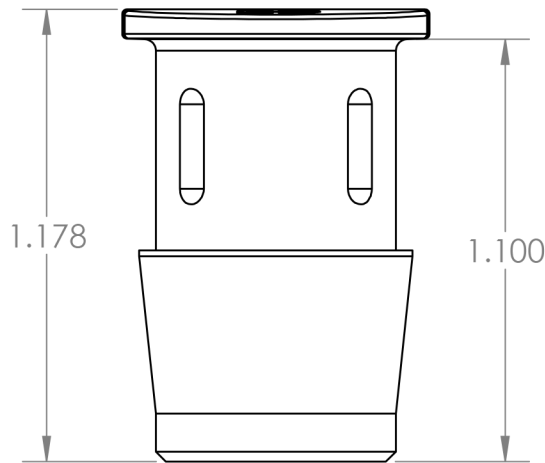
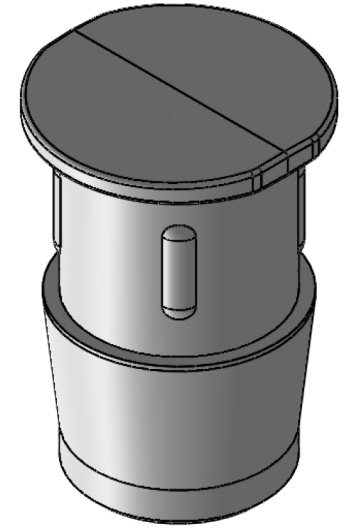
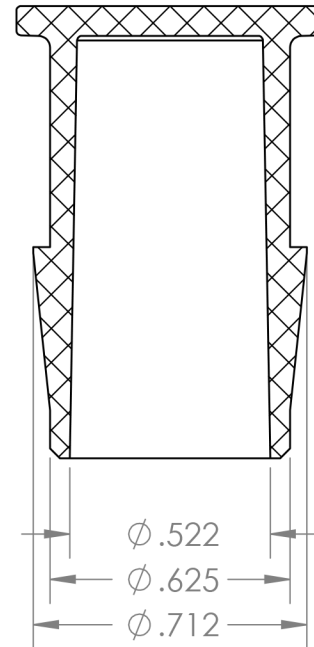


R.413



SECTION A-A



PROPRIETARY AND CONFIDENTIAL

**Description**

THE INFORMATION CONTAINED IN THIS DRAWING IS THE SOLE PROPERTY OF INDUSTRIAL SPECIALTIES MFG. AND IS MED SPECIALITES. ANY REPRODUCTION IN PART OR AS A WHOLE WITHOUT THE WRITTEN PERMISSION OF INDUSTRIAL SPECIALTIES MFG. AND IS MED SPECIALITES IS PROHIBITED.

5/8" Hose Barb Plug,  
Natural Nylon

NAME DATE

DRAWN BY: M.E. 3.24.2022

SHEET 1 OF 1

SCALE: 2:1

DO NOT SCALE DRAWING

**PART#**

PJ-58-N

REV

1



industrialspec.com | 800-781-8486

5

4

3

2

1