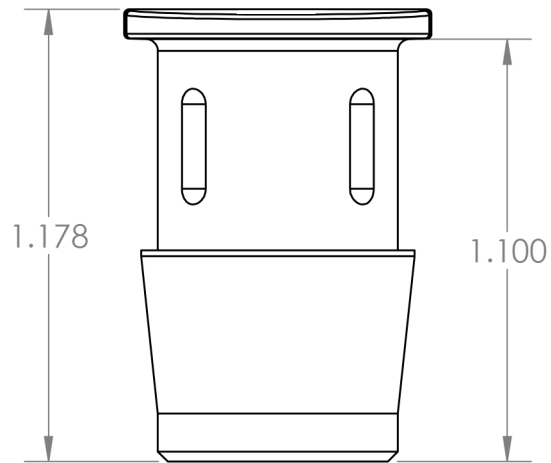
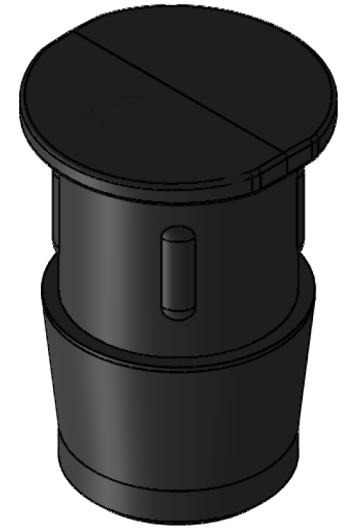
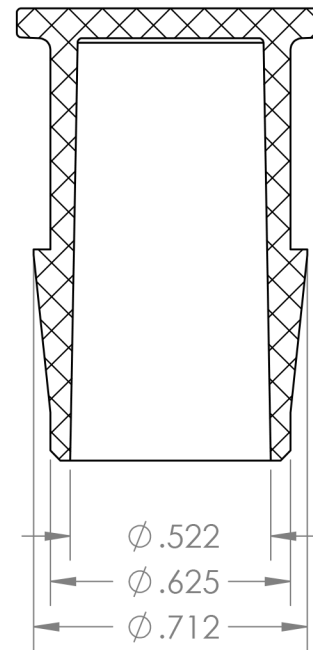



R.413



SECTION A-A



PROPRIETARY AND CONFIDENTIAL THE INFORMATION CONTAINED IN THIS DRAWING IS THE SOLE PROPERTY OF INDUSTRIAL SPECIALTIES MFG. AND IS MED SPECIALITES. ANY REPRODUCTION IN PART OR AS A WHOLE WITHOUT THE WRITTEN PERMISSION OF INDUSTRIAL SPECIALTIES MFG. AND IS MED SPECIALITES IS PROHIBITED.	Description 5/8" Hose Barb Plug, Black Nylon	NAME	DATE	PART# PJ-58-BN	REV 1
		DRAWN BY:	M.E.		
		SHEET 1 OF 1			 Industrial Specialties Mfg. & IS MED Specialties (ISM) industrialspec.com 800-781-8486
		SCALE: 2:1			
DO NOT SCALE DRAWING					