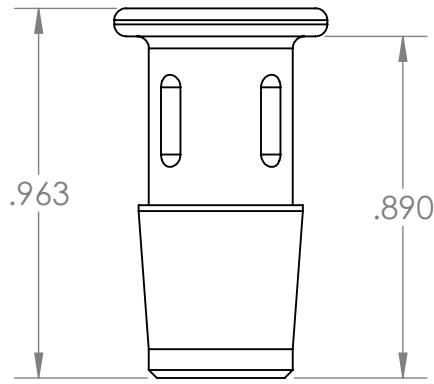
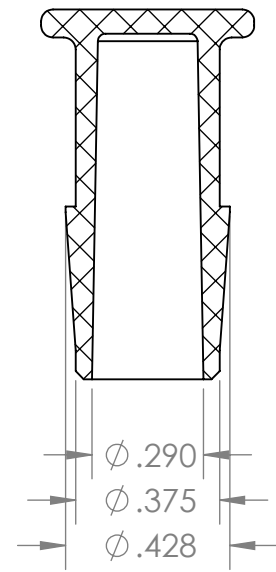


SECTION A-A



PROPRIETARY AND CONFIDENTIAL

**Description**

THE INFORMATION CONTAINED IN THIS DRAWING IS THE SOLE PROPERTY OF INDUSTRIAL SPECIALTIES MFG. AND IS MED SPECIALITES. ANY REPRODUCTION IN PART OR AS A WHOLE WITHOUT THE WRITTEN PERMISSION OF INDUSTRIAL SPECIALTIES MFG. AND IS MED SPECIALITES IS PROHIBITED.

3/8" Hose Barb Plug,  
Natural Nylon

NAME	DATE
M.E.	3.22.2022

PART#	REV
PJ-38-N	1

SHEET 1 OF 1

SCALE: 2:1

DO NOT SCALE DRAWING

**ISM** Industrial Specialties Mfg. & IS MED Specialites (ISM)  
 industrialspec.com | 800-781-8486