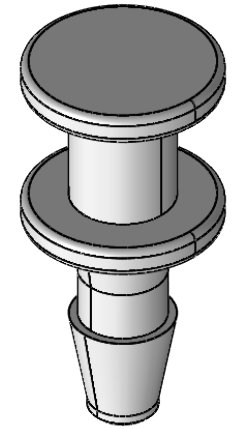
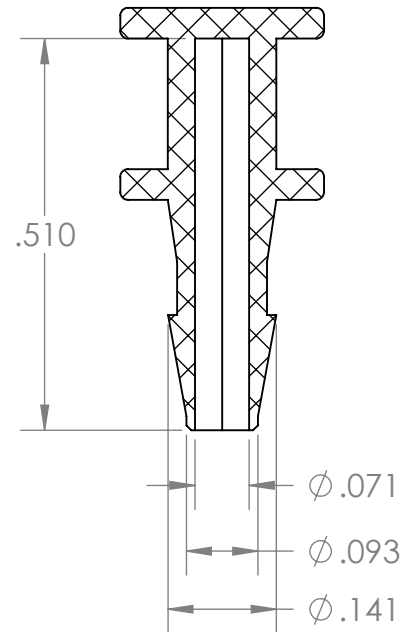


SECTION A-A



PROPRIETARY AND CONFIDENTIAL

Description

THE INFORMATION CONTAINED IN THIS DRAWING IS THE SOLE PROPERTY OF INDUSTRIAL SPECIALTIES MFG. AND IS MED SPECIALITES. ANY REPRODUCTION IN PART OR AS A WHOLE WITHOUT THE WRITTEN PERMISSION OF INDUSTRIAL SPECIALTIES MFG. AND IS MED SPECIALITES IS PROHIBITED.

3/32" Hose Barb Plug,
White Polypropylene

| | |
|------|-----------|
| NAME | DATE |
| M.E. | 3.21.2022 |

PART#
PJ-332-WPP

REV
1

SHEET 1 OF 1



SCALE: 4:1

industrialspec.com | 800-781-8486

DO NOT SCALE DRAWING