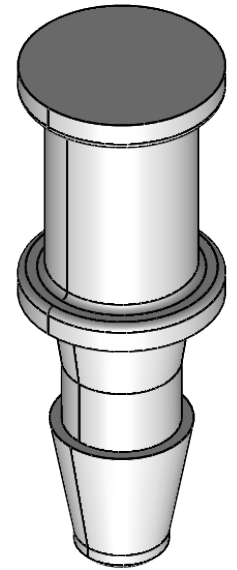
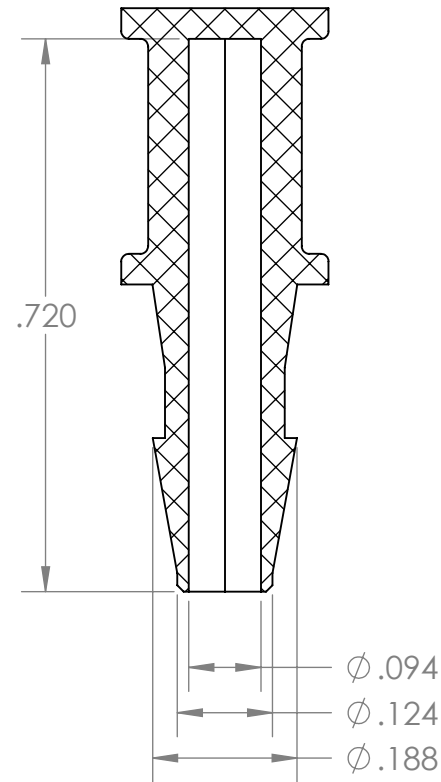


SECTION A-A



PROPRIETARY AND CONFIDENTIAL

**Description**

THE INFORMATION CONTAINED IN THIS DRAWING IS THE SOLE PROPERTY OF INDUSTRIAL SPECIALTIES MFG. AND IS MED SPECIALITES. ANY REPRODUCTION IN PART OR AS A WHOLE WITHOUT THE WRITTEN PERMISSION OF INDUSTRIAL SPECIALTIES MFG. AND IS MED SPECIALITES IS PROHIBITED.

1/8" Hose Barb Plug,  
Natural Kynar

NAME	DATE
M.E.	3.22.2022

**PART#**  
PJ-18-K

**REV**  
1

SHEET 1 OF 1

SCALE: 4:1

DO NOT SCALE DRAWING

**ISM** Industrial Specialties Mfg.  
& IS MED Specialites (ISM)  
industrialspec.com | 800-781-8486