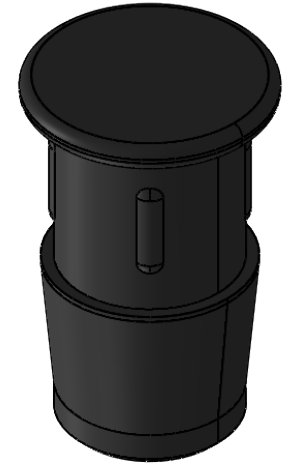
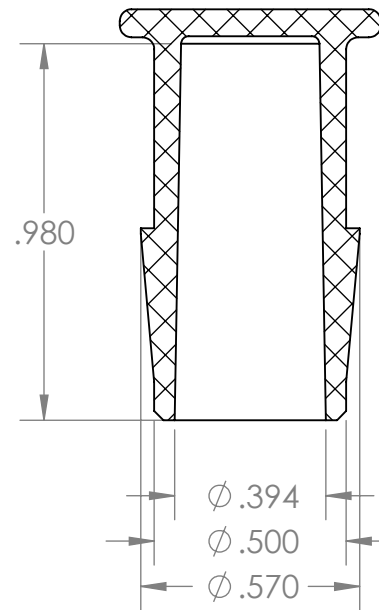


SECTION A-A



PROPRIETARY AND CONFIDENTIAL

Description

THE INFORMATION CONTAINED IN THIS DRAWING IS THE SOLE PROPERTY OF INDUSTRIAL SPECIALTIES MFG. AND IS MED SPECIALITES. ANY REPRODUCTION IN PART OR AS A WHOLE WITHOUT THE WRITTEN PERMISSION OF INDUSTRIAL SPECIALTIES MFG. AND IS MED SPECIALITES IS PROHIBITED.

1/2" Hose Barb Plug,
Black Nylon

NAME	DATE
M.E.	3.24.2022

PART#
PJ-12-BN

REV
1

SHEET 1 OF 1

SCALE: 2:1

DO NOT SCALE DRAWING

ISM Industrial Specialties Mfg.
& IS MED Specialties (ISM)
industrialspec.com | 800-781-8486