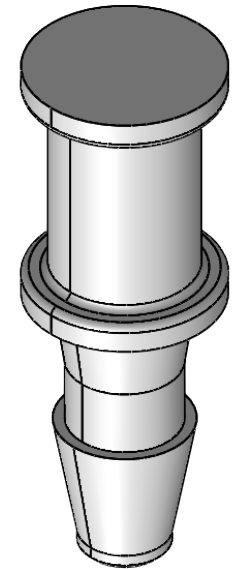
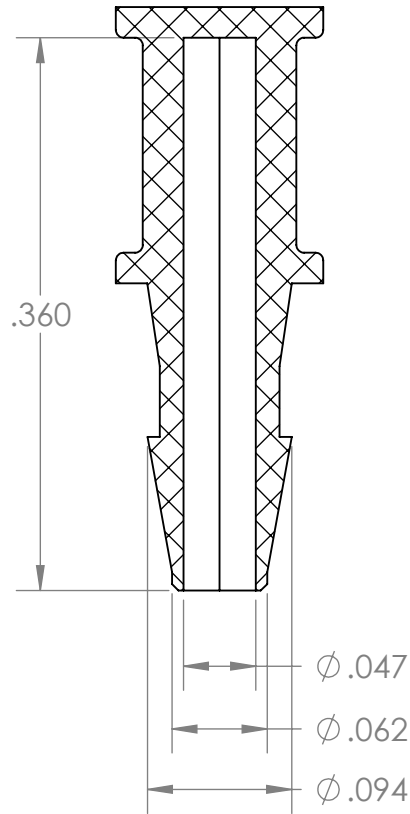


SECTION A-A



PROPRIETARY AND CONFIDENTIAL

**Description**

THE INFORMATION CONTAINED IN THIS DRAWING IS THE SOLE PROPERTY OF INDUSTRIAL SPECIALTIES MFG. AND IS MED SPECIALITES. ANY REPRODUCTION IN PART OR AS A WHOLE WITHOUT THE WRITTEN PERMISSION OF INDUSTRIAL SPECIALTIES MFG. AND IS MED SPECIALITES IS PROHIBITED.

1/16" Hose Barb Plug,  
White Polypropylene

NAME	DATE
M.E.	3.21.2022

**PART#**  
PJ-116-WPP

REV  
1

SHEET 1 OF 1

SCALE: 8:1



industrialspec.com | 800-781-8486

DO NOT SCALE DRAWING