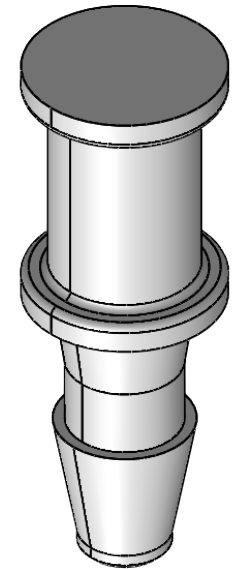
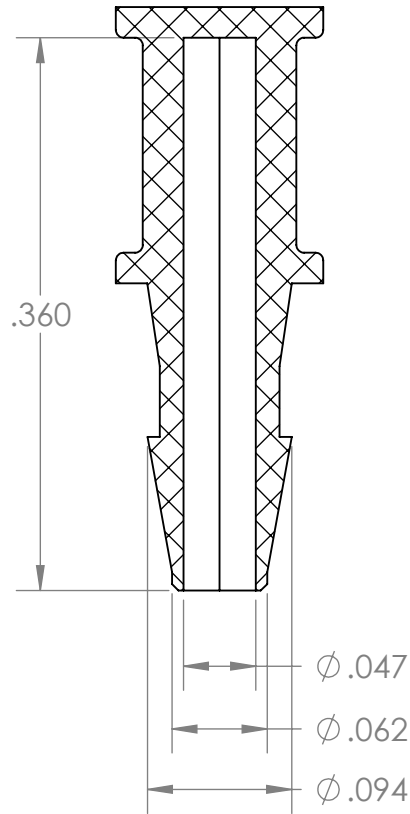


SECTION A-A



PROPRIETARY AND CONFIDENTIAL

Description

THE INFORMATION CONTAINED IN THIS DRAWING IS THE SOLE PROPERTY OF INDUSTRIAL SPECIALTIES MFG. AND IS MED SPECIALITES. ANY REPRODUCTION IN PART OR AS A WHOLE WITHOUT THE WRITTEN PERMISSION OF INDUSTRIAL SPECIALTIES MFG. AND IS MED SPECIALITES IS PROHIBITED.

1/16" Hose Barb Plug,
White Nylon

NAME	DATE
M.E.	3.21.2022

PART# PJ-116-WN

REV 1

SHEET 1 OF 1



SCALE: 8:1

industrialspec.com | 800-781-8486

DO NOT SCALE DRAWING