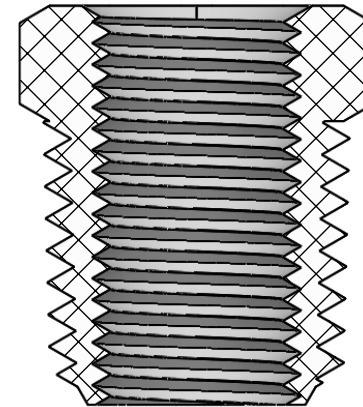
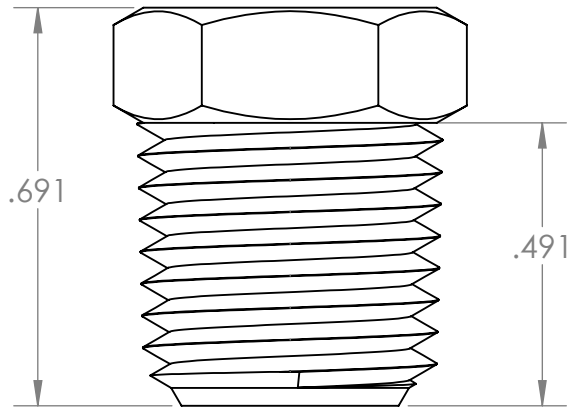


SECTION A-A



PROPRIETARY AND CONFIDENTIAL

Description

1/4" Male NPT x 1/8" Female NPT Bushing,
Natural Nylon

MFR# GAX77-NR0

THE INFORMATION CONTAINED IN THIS DRAWING IS THE SOLE PROPERTY OF INDUSTRIAL SPECIALTIES MFG. AND IS MED SPECIALITES. ANY REPRODUCTION IN PART OR AS A WHOLE WITHOUT THE WRITTEN PERMISSION OF INDUSTRIAL SPECIALTIES MFG. AND IS MED SPECIALITES IS PROHIBITED.

NAME	DATE
M.E.	9/29/2016

PART#
NBA-4M2F-N

REV
1

SHEET 1 OF 1

SCALE: 2:1

DO NOT SCALE DRAWING



Industrial Specialties Mfg.

IS Med Specialties

www.industrialpec.com
800-781-8487