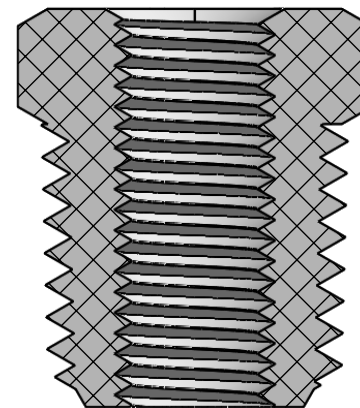
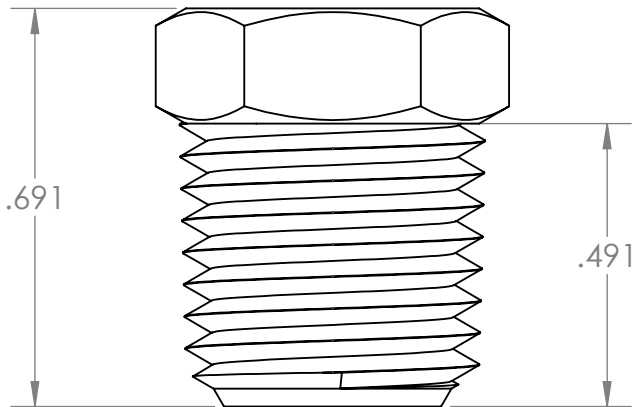


SECTION A-A



PROPRIETARY AND CONFIDENTIAL

Description

THE INFORMATION CONTAINED IN THIS DRAWING IS THE SOLE PROPERTY OF INDUSTRIAL SPECIALTIES MFG. AND IS MED SPECIALITES. ANY REPRODUCTION IN PART OR AS A WHOLE WITHOUT THE WRITTEN PERMISSION OF INDUSTRIAL SPECIALTIES MFG. AND IS MED SPECIALITES IS PROHIBITED.

1/4" Male NPT x 1/4-28 Female UNF Bushing,
White Nylon

MFR# AP032518R2528WN

NAME	DATE
M.E.	9/29/2016

PART# NBA-4M1428F-WN	REV 1
--------------------------------	----------

SHEET 1 OF 1
SCALE: 3:1
DO NOT SCALE DRAWING



Industrial Specialties Mfg.
IS Med Specialties
www.industrialpec.com
800-781-8487