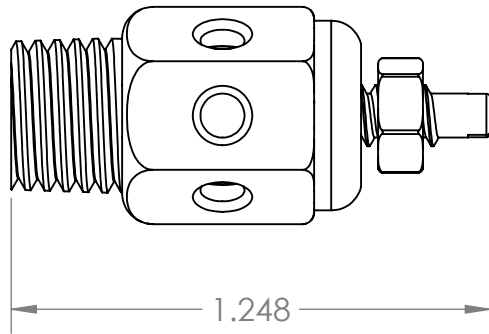
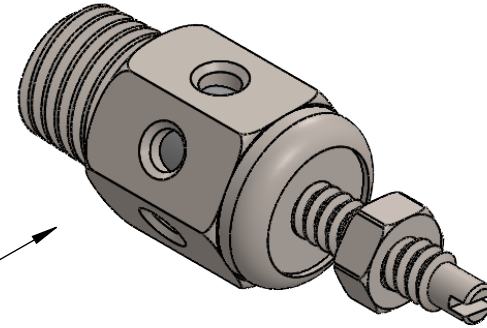
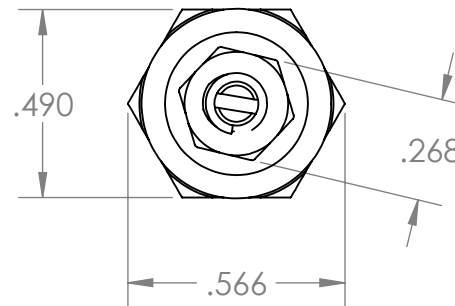
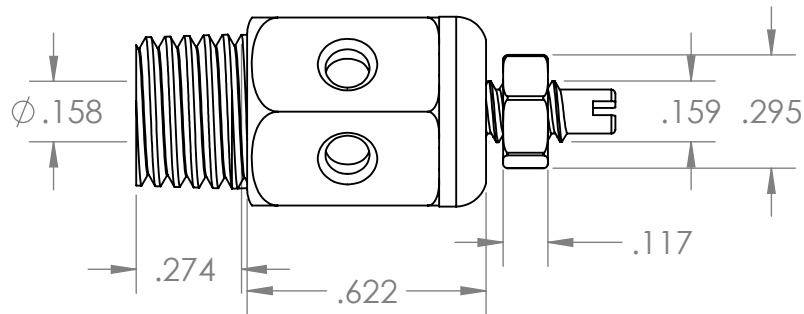
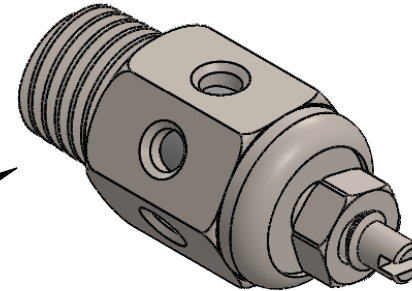


Fully Open



Fully Closed



PROPRIETARY AND CONFIDENTIAL

Description

THE INFORMATION CONTAINED IN THIS DRAWING IS THE SOLE PROPERTY OF INDUSTRIAL SPECIALTIES MFG. AND IS MED SPECIALITES. ANY REPRODUCTION IN PART OR AS A WHOLE WITHOUT THE WRITTEN PERMISSION OF INDUSTRIAL SPECIALTIES MFG. AND IS MED SPECIALITES IS PROHIBITED.

1/8" Male NPT Speed Control Muffer
70 Micron, 316 Stainless Steel Element,
303 Stainless Steel Body

NAME	DATE
M.S.	04/21/2021

PART# MS-2M-70-SS

REV
1

SHEET 1 OF 1

SCALE: 2:1

DO NOT SCALE DRAWING

ISM Industrial Specialties Mfg.
& IS MED Specialties (ISM)
industrialspec.com | 800-781-8486