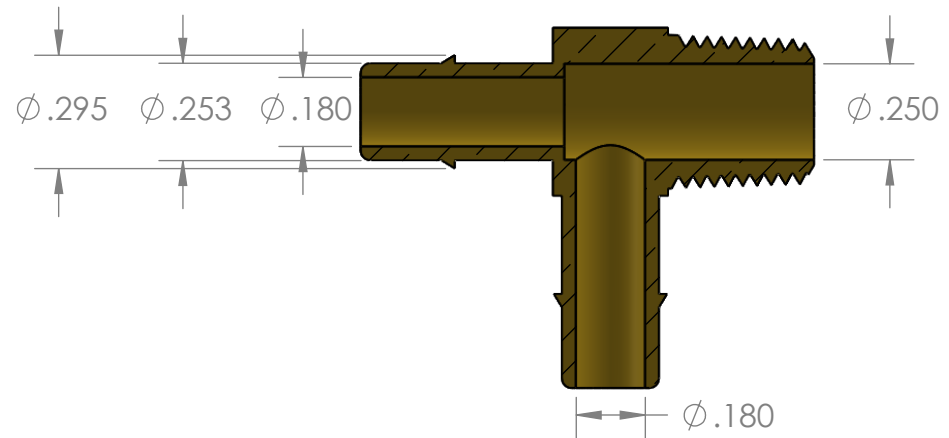
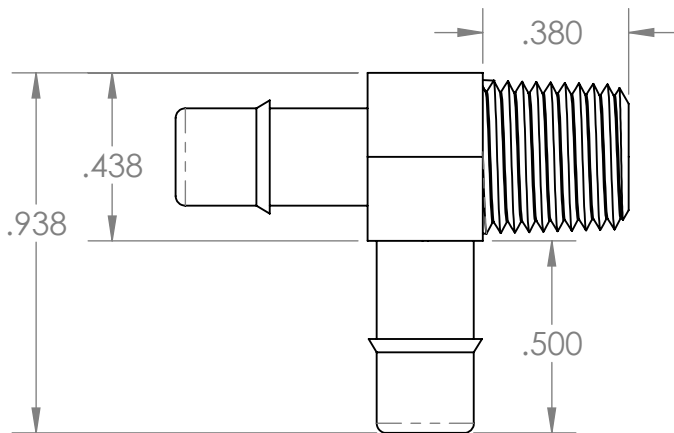


SECTION A-A



PROPRIETARY AND CONFIDENTIAL

Description

THE INFORMATION CONTAINED IN THIS DRAWING IS THE SOLE PROPERTY OF INDUSTRIAL SPECIALTIES MFG. AND IS MED SPECIALITES. ANY REPRODUCTION IN PART OR AS A WHOLE WITHOUT THE WRITTEN PERMISSION OF INDUSTRIAL SPECIALTIES MFG. AND IS MED SPECIALITES IS PROHIBITED.

1/4" Hose Barb x 1/8" Male NPT Run Tee, Brass

NAME DATE
DRAWN BY: M.E. 9/6/2017

PART# MLT-142M-14-B

REV 1

SHEET 1 OF 1

SCALE: 2:1

ISM Industrial Specialties Mfg. & IS MED Specialties (ISM)

industrialspec.com | 800-781-8486

DO NOT SCALE DRAWING