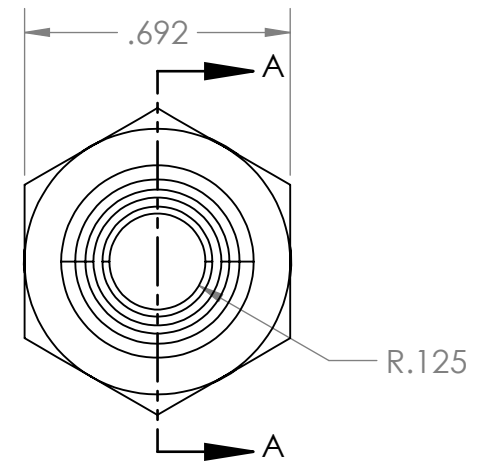
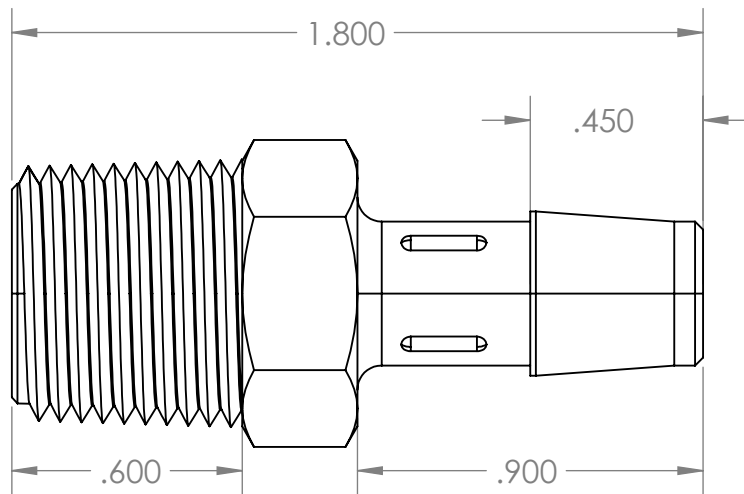
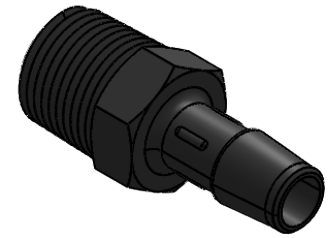


SECTION A-A



Made from 6/6 nylon, black nylon fittings exhibit strength, moderate stiffness, high service temperature, high impact resistance, and tensile strength. Resistant to fuels, lubricants and many chemicals, but vulnerable to attack by phenols, strong acids, and oxidizing agents. RoHS compliant. Used in fuel lines, vacuum systems, and general-purpose applications. Automotive industry approvals.

Temperature Range -50 °F to 275 °F (135 °C)

Pressure 150 psi @ 70 °F

PROPRIETARY AND CONFIDENTIAL

Description

3/8" Hose Barb x 3/8" Male NPT Adapter,
Automotive Grade Black Nylon

THE INFORMATION CONTAINED IN THIS DRAWING IS THE SOLE PROPERTY OF INDUSTRIAL SPECIALTIES MFG. AND IS MED SPECIALITES. ANY REPRODUCTION IN PART OR AS A WHOLE WITHOUT THE WRITTEN PERMISSION OF INDUSTRIAL SPECIALTIES MFG. AND IS MED SPECIALITES IS PROHIBITED.

NAME	DATE
M.E.	5.13.2021

PART#
MCBJ-38-6M-BN

REV
1

SHEET 1 OF 1

SCALE: 2:1

DO NOT SCALE DRAWING



industrialspec.com | 800-781-8486