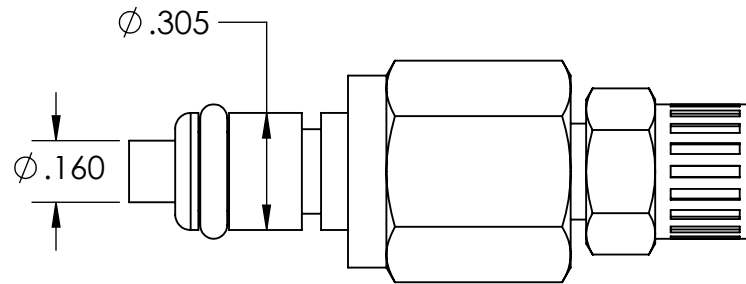
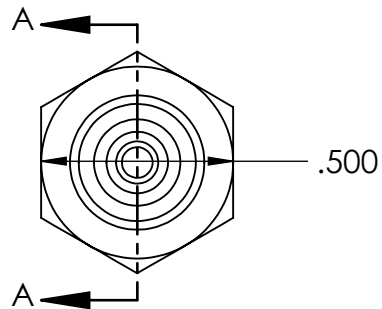


SECTION A-A



PROPRIETARY AND CONFIDENTIAL

**Description**

5/32" OD Ferruleless Poly-Tube Non-Valved Insert,  
1/8" Flow, Buna-N Seals, Chrome Plated Brass

THE INFORMATION CONTAINED IN THIS DRAWING IS FOR REFERENCE ONLY AND REMAINS THE SOLE PROPERTY OF INDUSTRIAL SPECIALTIES MFG. AND IS MED SPECIALITES. ANY REPRODUCTION IN PART OR AS A WHOLE WITHOUT THE WRITTEN PERMISSION OF INDUSTRIAL SPECIALTIES MFG. AND IS MED SPECIALITES IS PROHIBITED.

NAME	DATE
M.K.	12.28.2022

**PART#**

MC20025

REV  
1

SHEET 1 OF 1

SCALE: 2:1

DO NOT SCALE DRAWING  
All Dimensions are in Inches



industrialspec.com | 800-781-8486